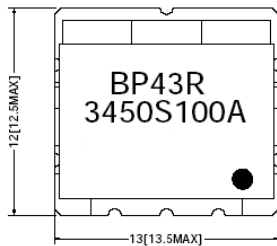


RF FILTER SPECIFICATION

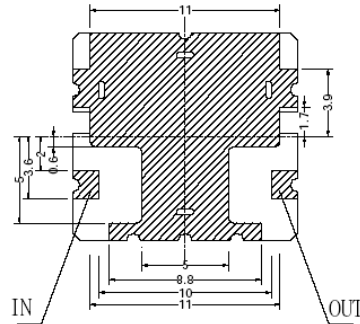
Part No. BP43R3450S100A

Electrical Specifications			
Item	Parameter	CMI Specification	Unit
1	Center Frequency [fo]	3450	MHz
2	Bandwidth (BW)	100	MHz
3	Insertion Loss at fo	2.0 max.	dB
4	Ripple in BW	1.0 max.	dB
5	V S W R in BW	2.0 max.	-
6	In/Out Impedance	50	Ω
7	Attenuation [Relative value]	24 min. at 3200 MHz 20 min. at 3700 MHz	dBc

TOP VIEW



BOTTOM VIEW



TOLERANCE : .X : ± 0.3
.XX : ± 0.15

UNIT: mm

● INPUT PORT

CALL OUR SALES DEPARTMENT FOR MORE INFORMATION OR VARIATIONS OF THIS PRODUCT.

Corry Micronics, Inc. One Plastics Rd. - Corry, PA 16407
(814) 664-7728 Fax (814) 664-4582 www.cormic.com

Corry Micronics Inc. herein referred to CMI, believes this information to be accurate, but makes no warranties, expressed or implied as to the accuracy of this document. CMI assumes no liability for any injury, loss, damage, direct or consequential arising from the use of our products. User assumes all risk whatsoever in connection with it's intended use. CMI also reserves the right to change this document without notice.