

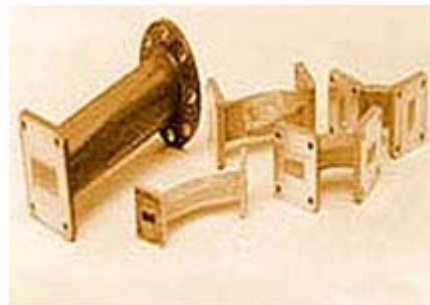
TRectangular Waveguide Bends

LOW VSWR
LOW INSERTION LOSS
PRECISION FABRICATION

CMI's Rectangular Waveguide Bends are useful for field and laboratory applications where lowest loss and SWR are required. The waveguide conforms to MIL-W-85. Bends may be used alone or in combination for systems packaging. Straights, Bends and Twists are normally supplied with UG cover flanges; however choke, CPR, CMR and other flanges may be requested. VSWR of Standard Waveguide models is 1.03 typical, 1.05 max. over the full waveguide band while insertion loss is essentially that of straight waveguide. Units are available in aluminum or copper. Finish is chromate conversion per MIL-C-5541, Class 3 for aluminum and corrosion resistant coatings for all others, painted with gray enamel.



*The Standard Model Numbers below are the most common parts ordered for size, material and flanges. However, these models can easily be altered to accommodate your needs by using the above Model # code system.



CALL OUR SALES DEPARTMENT FOR MORE INFORMATION OR VARIATIONS OF THIS PRODUCT.

Corry Micronics, Inc. One Plastics Rd. - Corry, PA 16407
(814) 664-7728 Fax (814) 664-4582 www.cormic.com

Corry Micronics Inc. herein referred to CMI, believes this information to be accurate, but makes no warranties, expressed or implied as to the accuracy of this document. CMI assumes no liability for any injury, loss, damage, direct or consequential arising from the use of our products. User assumes all risk whatsoever in connection with it's intended use. CMI also reserves the right to change this document without notice.

90°E&H Bends Order Information

Typical Part #: WGSize – WEB Material-L1(in)xL2(in)-Flange1-Flange2

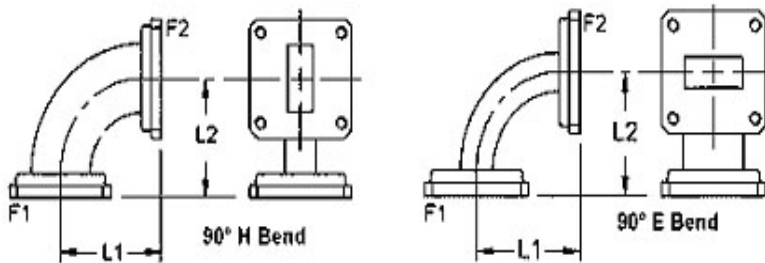
Basic Model#: _____

Material: A=Alum, B=Brass, C=Copper

Length 1 x Length 2: _____

Flange 1: 1=CPRG, 2=CPRF, 6=Cover, 7=Choke

Flange 2: 1=CPRG, 2=CPRF, 6=Cover, 7=Choke



Example:

CMI284-WEBA-8x8-6-6 is WR284 - 90° E bend Alum material - 8x8 - Cover flg - Cover flg

CMI284-WHBA-8x8-6-6 is WR284 - 90° H bend Alum material - 8x8 - Cover flg - Cover flg

CALL OUR SALES DEPARTMENT FOR MORE INFORMATION OR VARIATIONS OF THIS PRODUCT.

Corry Micronics, Inc. One Plastics Rd. - Corry, PA 16407
(814) 664-7728 Fax (814) 664-4582 www.cormic.com

Corry Micronics Inc. herein referred to CMI, believes this information to be accurate, but makes no warranties, expressed or implied as to the accuracy of this document. CMI assumes no liability for any injury, loss, damage, direct or consequential arising from the use of our products. User assumes all risk whatsoever in connection with it's intended use. CMI also reserves the right to change this document without notice.



PRODUCT SPECIFICATION

Standard Models			
WG Size	Freq GHz	90 Degree E Bend Standard Model No*	90 Degree H Bend Standard Model No*
WR340	2.20 - 3.30	340-WEBA-8x8-2-2	340-WHBA-10x10-2-2
WR284	2.60 - 3.95	284-WEBA-6x6-6-6	284-WHBA-6x6-6-6
WR229	3.30 - 4.90	229-WEBB-4x4-2-2	229-WHBB-4x4-2-2
WR187	3.95 - 5.85	187-WEBA-3x3-6-6	187-WHBA-3x3-6-6
WR159	4.09 - 7.05	159-WEBB-2.5x2.5-2-2	159-WHBB-2.5x2.5-2-2
WR137	5.85 - 8.20	137-WEBB-2.5x2.5-2-2	137-WHBB-2.5x2.5-2-2
WR112	7.05 - 10.0	112-WEBB-2x2-6-6	112-WHBB-2x2-6-6
WR102	7.00 - 11.0	102-WEBA-2x2-6-6	102-WHBA-2x2-6-6
WR90	8.20 - 12.4	90-WEBA-2x2-6-6	90-WHBA-2x2-6-6
WR75	10.0 - 15.0	75-WEBB-1.75x1.75-6-6	75-WHBB-1.75x1.75-6-6
WR62	12.4 - 18.0	62-WEBB-1.75x1.75-6-6	62-WHBB-1.75x1.75-6-6
WR51	15.0 - 22.0	51-WEBB-1.5x1.5-6-6	51-WHBB-1.5x1.5-6-6
WR42	18.0 - 26.5	42-WEBB-1x1-6-6	42-WHBB-1x1-6-6
WR34	22.0 - 33.0	34-WEBB-1x1-6-6	34-WHBB-1x1-6-6
WR28	26.5 - 40.0	28-WEBB-1x1-6-6	28-WHBB-1x1-6-6

CALL OUR SALES DEPARTMENT FOR MORE INFORMATION OR VARIATIONS OF THIS PRODUCT.

**Corry Micronics, Inc. One Plastics Rd. - Corry, PA 16407
 (814) 664-7728 Fax (814) 664-4582 www.cormic.com**

Corry Micronics Inc. herein referred to CMI, believes this information to be accurate, but makes no warranties, expressed or implied as to the accuracy of this document. CMI assumes no liability for any injury, loss, damage, direct or consequential arising from the use of our products. User assumes all risk whatsoever in connection with it's intended use. CMI also reserves the right to change this document without notice.

30°, 45° & 60° H Bends

Typical Part#: **WGSize-HB30 Material -Flange1 -Flange2**

Basic Model #:

Material: A=Alum, B=Brass, C=Copper

Flange 1: 1=CPRG, 2=CPRF, 6=Cover, 7=Choke

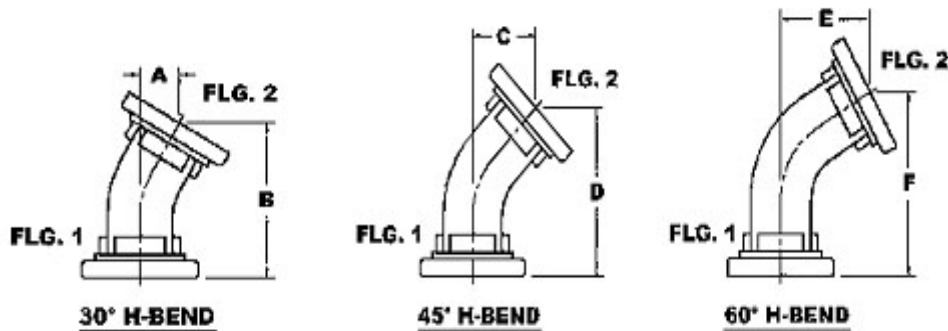
Flange 2: 1=CPRG, 2=CPRF, 6=Cover, 7=Choke

Example:

CMI650-HB30A-2-2 is a WRCMI650 - 30°H bend Alum material - CPRF flange - CPRF flange

CMI650-HB45A-2-2 is a WRCMI650 - 45°H bend Alum material - CPRF flange - CPRF flange

CMI650-HB60A-2-2 is a WRCMI650 - 60°H bend Alum material - CPRF flange - CPRF flange



CALL OUR SALES DEPARTMENT FOR MORE INFORMATION OR VARIATIONS OF THIS PRODUCT.

**Corry Micronics, Inc. One Plastics Rd. - Corry, PA 16407
(814) 664-7728 Fax (814) 664-4582 www.cormic.com**

Corry Micronics Inc. herein referred to CMI, believes this information to be accurate, but makes no warranties, expressed or implied as to the accuracy of this document. CMI assumes no liability for any injury, loss, damage, direct or consequential arising from the use of our products. User assumes all risk whatsoever in connection with it's intended use. CMI also reserves the right to change this document without notice.

Standard Models										
WG Size	Freq GHz	30 Degree H Bend			45 Degree H Bend			60 Degree H Bend		
		Standard Model No*	A (in)**	B (in)**	Standard Model No*	C (in)**	D (in)**	Standard Model No*	E (in)**	F (in)**
WR340	2.20 - 3.30	CMI340-HB30A-2-2	2.05	7.65	CMI340-HB45A-2-2	4.39	10.58	CMI340-HB60A-2-2	5.26	9.15
WR284	2.60 - 3.95	CMI284-HB30A-6-6	1.50	5.60	CMI284-HB45A-6-6	3.38	8.15	CMI284-HB60A-6-6	3.45	6.00
WR229	3.30 - 4.90	CMI229-HB30B-2-2	1.48	5.50	CMI229-HB45B-2-2	2.84	6.84	CMI229-HB60B-2-2	3.32	5.78
W187	3.95 - 5.85	CMI187-HB30A-6-6	1.30	4.85	CMI187-HB45A-6-6	2.12	5.12	CMI187-HB60A-6-6	2.72	4.73
WR159	4.09 - 7.05	CMI159-HB30B-2-2	1.30	4.85	CMI159-HB45B-2-2	1.77	4.27	CMI159-HB60B-2-2	2.63	4.58
WR137	5.85 - 8.20	CMI137-HB30B-2-2	1.13	4.20	CMI137-HB45B-2-2	1.77	4.27	CMI137-HB60B-2-2	2.16	3.75
WR112	7.05 - 10.0	CMI112-HB30B-6-6	1.10	4.10	CMI112-HB45B-6-6	1.41	3.41	CMI112-HB60B-6-6	1.98	3.45
WR102	7.00 - 11.0	CMI102-HB30A-6-6	1.03	3.82	CMI102-HB45A-6-6	1.41	3.41	CMI102-HB60A-6-6	1.81	3.15
WR90	8.20 - 12.4	CMI90-HB30A-6-6	1.00	3.73	CMI90-HB45A-6-6	1.41	3.41	CMI90-HB60A-6-6	1.72	3.00
WR75	10.0 - 15.0	CMI75-HB30B-6-6	1.00	3.73	CMI75-HB45B-6-6	1.24	2.99	CMI75-HB60B-6-6	1.72	3.00
WR62	12.4 - 18.0	CMI62-HB30B-6-6	0.95	3.54	CMI62-HB45B-6-6	1.24	2.99	CMI62-HB60B-6-6	1.64	2.85
WR51	15.0 - 22.0	CMI51-HB30B-6-6	0.88	3.26	CMI51-HB45B-6-6	1.06	2.56	CMI51-HB60B-6-6	1.47	2.55
WR42	18.0 - 26.5	CMI42-HB30B-6-6	0.80	2.98	CMI42-HB45B-6-6	0.71	1.71	CMI42-HB60B-6-6	1.25	2.18
WR28	26.5 - 40.0	CMI28-HB30B-6-6	0.75	2.80	CMI28-HB45B-6-6	0.71	1.71	CMI28-HB60B-6-6	1.12	1.95

CALL OUR SALES DEPARTMENT FOR MORE INFORMATION OR VARIATIONS OF THIS PRODUCT.

Corry Micronics, Inc. One Plastics Rd. - Corry, PA 16407
(814) 664-77CMI28 Fax (814) 664-4582 www.cormic.com

Corry Micronics Inc. herein referred to CMI, believes this information to be accurate, but makes no warranties, expressed or implied as to the accuracy of this document. CMI assumes no liability for any injury, loss, damage, direct or consequential arising from the use of our products. User assumes all risk whatsoever in connection with it's intended use. CMI also reserves the right to change this document without notice.

30°, 45° & 60°E Bends

Typical Part#: **WGSize-EB30 Material -Flange1 -Flange2**

Basic Model #:

Material: A=Alum, B=Brass, C=Copper

Flange 1: 1=CPRG, 2=CPRF, 6=Cover, 7=Choke

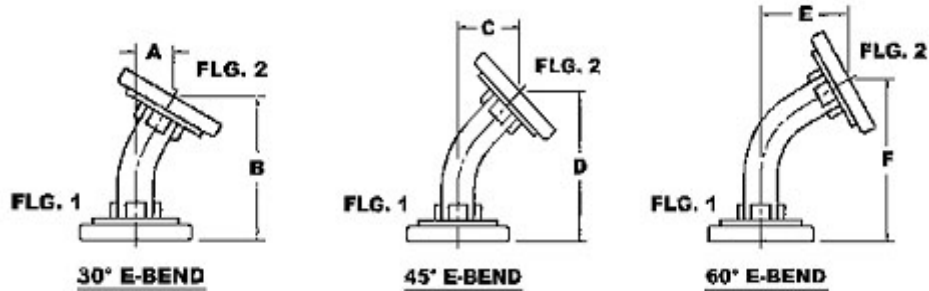
Flange 2: 1=CPRG, 2=CPRF, 6=Cover, 7=Choke

Example:

CMI650-EB30A-2-2 is a WR650 - 30°E bend Alum material - CPRF flange - CPRF flange

CMI650-EB45A-2-2 is a WR650 - 45°E bend Alum material - CPRF flange - CPRF flange

CMI650-EB60A-2-2 is a WR650 - 60°E bend Alum material - CPRF flange - CPRF flange



CALL OUR SALES DEPARTMENT FOR MORE INFORMATION OR VARIATIONS OF THIS PRODUCT.

**Corry Micronics, Inc. One Plastics Rd. - Corry, PA 16407
(814) 664-7728 Fax (814) 664-4582 www.cormic.com**

Corry Micronics Inc. herein referred to CMI, believes this information to be accurate, but makes no warranties, expressed or implied as to the accuracy of this document. CMI assumes no liability for any injury, loss, damage, direct or consequential arising from the use of our products. User assumes all risk whatsoever in connection with it's intended use. CMI also reserves the right to change this document without notice.

Standard Models										
WG Size	Freq GHz	30 Degree E Bend			45 Degree E Bend			60 Degree E Bend		
		Standard Model No*	A (in)**	B (in)**	Standard Model No*	C (in)**	D (in)**	Standard Model No*	E (in)**	F (in)**
WR340	2.20 - 3.30	CMI340-EB30A-2-2	1.50	5.60	CMI340-EB45A-2-2	4.18	10.07	CMI340-EB60A-2-2	4.83	8.40
WR284	2.60 - 3.95	CMI284-EB30A-6-6	1.43	5.32	CMI284-EB45A-6-6	3.38	8.15	CMI284-EB60A-6-6	3.10	5.40
WR229	3.30 - 4.90	CMI229-EB30B-2-2	1.40	5.22	CMI229-EB45B-2-2	2.77	6.68	CMI229-EB60B-2-2	3.02	5.25
WR187	3.95 - 5.85	CMI187-EB30A-6-6	1.25	4.66	CMI187-EB45A-6-6	2.12	5.12	CMI187-EB60A-6-6	2.46	4.28
WR159	4.09 - 7.05	CMI159-EB30B-2-2	1.23	4.57	CMI159-EB45B-2-2	1.77	4.27	CMI159-EB60B-2-2	2.46	4.28
WR137	5.85 - 8.20	CMI137-EB30B-2-2	1.08	4.01	CMI137-EB45B-2-2	1.77	4.27	CMI137-EB60B-2-2	1.98	3.45
WR112	7.05 - 10.0	CMI112-EB30B-6-6	1.05	3.92	CMI112-EB45B-6-6	1.41	3.41	CMI112-EB60B-6-6	1.81	3.15
WR102	7.00 - 11.0	CMI102-EB30A-6-6	1.00	3.73	CMI102-EB45A-6-6	1.41	3.41	CMI102-EB60A-6-6	1.72	3.00
WR90	8.20 - 12.4	CMI90-EB30A-6-6	0.95	3.54	CMI90-EB45A-6-6	1.41	3.41	CMI90-EB60A-6-6	1.64	2.85
WR75	10.0 - 15.0	CMI75-EB30B-6-6	0.98	3.64	CMI75-EB45B-6-6	1.24	2.99	CMI75-EB60B-6-6	1.68	2.93
WR62	12.4 - 18.0	CMI62-EB30B-6-6	0.93	3.45	CMI62-EB45B-6-6	1.24	2.99	CMI62-EB60B-6-6	1.55	2.70
WR51	15.0 - 22.0	CMI51-EB30B-6-6	0.88	3.26	CMI51-EB45B-6-6	1.06	2.56	CMI51-EB60B-6-6	1.38	2.40
WR42	18.0 - 26.5	CMI42-EB30B-6-6	0.80	2.98	CMI42-EB45B-6-6	0.71	1.71	CMI42-EB60B-6-6	1.16	2.03
WR28	26.5 - 40.0	CMI28-EB30B-6-6	0.CMI75	2.80	CMI28-EB45B-6-6	0.71	1.71	CMI28-EB60B-6-6	1.12	1.95

CALL OUR SALES DEPARTMENT FOR MORE INFORMATION OR VARIATIONS OF THIS PRODUCT.

Corry Micronics, Inc. One Plastics Rd. - Corry, PA 16407
(814) 664-77CMI28 Fax (814) 664-4582 www.cormic.com

Corry Micronics Inc. herein referred to CMI, believes this information to be accurate, but makes no warranties, expressed or implied as to the accuracy of this document. CMI assumes no liability for any injury, loss, damage, direct or consequential arising from the use of our products. User assumes all risk whatsoever in connection with it's intended use. CMI also reserves the right to change this document without notice.

90°E&H Miter Bends

Typical Part#: WGSize-EB30 Material -Flange1 -Flange2

Basic Model #: _____

Material: A=Alum, B=Brass, C=Copper

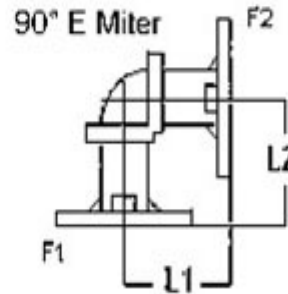
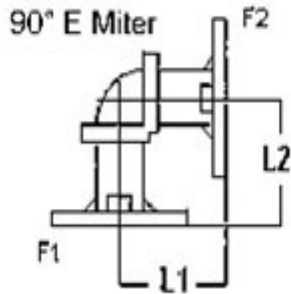
Flange 1: 1=CPRG, 2=CPRF, 6=Cover, 7=Choke

Flange 2: 1=CPRG, 2=CPRF, 6=Cover, 7=Choke

Example:

CMI284-MEBA-4x4-6-6 is WR284 - 90° E miter Alum material - 4x4 - Cover flg - Cover flg

CMI284-MHBA-4x4-6-6 is WR284 - 90° H miter Alum material - 4x4- Cover flg - Cover flg



CALL OUR SALES DEPARTMENT FOR MORE INFORMATION OR VARIATIONS OF THIS PRODUCT.

Corry Micronics, Inc. One Plastics Rd. - Corry, PA 16407
(814) 664-7728 Fax (814) 664-4582 www.cormic.com

Corry Micronics Inc. herein referred to CMI, believes this information to be accurate, but makes no warranties, expressed or implied as to the accuracy of this document. CMI assumes no liability for any injury, loss, damage, direct or consequential arising from the use of our products. User assumes all risk whatsoever in connection with it's intended use. CMI also reserves the right to change this document without notice.



PRODUCT SPECIFICATION

Standard Models			
WG Size	Freq GHz	90 Degree E Miter Bend Standard Model No*	90 Degree H Miter Bend Standard Model No*
WR650	1.00 - 1.70	CMI650-MEBA-4x4-2-2	CMI650-MHBA-5x5-2-2s
WR430	1.70 - 2.60	CMI430-MEBA-3x3-2-2	CMI430-MHBA-4x4-2-2
WR284	2.60 - 3.95	CMI284-MEBA-3.75x3.75-6-6	CMI284-MHBA-4x4-6-6
WR229	3.30 - 4.90	CMI229-MEBB-2.21x2.21-2-2	CMI229-MHBB-3x3-2-2
WR187	3.95 - 5.85	CMI187-MEBA-1.87x1.87-6-6	CMI187-MHBA-3x3-6-6
WR159	4.09 - 7.05	CMI159-MEBB-1.75x1.75-2-2	CMI159-MHBB-3x3 -2-2
WR137	5.85 - 8.20	CMI137-MEBB-1.82x1.82-2-2	CMI137-MHBB-3x3-2-2
WR112	7.05 - 10.0	CMI112-MEBB-1.6x1.6-6-6	CMI112-MHBB-2x2-6-6
WR102	7.00 - 11.0	CMI102-MEBA-1.47x1.47-6-6	CMI102-MHBA-2x2-6-6
WR90	8.20 - 12.4	CMI90-MEBA-1.34x1.34-6-6	CMI90-MHBA-2x2-6-6
WR75	10.0 - 15.0	CMI75-MEBB-1.16x1.16-6-6	CMI75-MHBB-2x2-6-6
WR62	12.4 - 18.0	CMI62-MEBB-.88x.88-6-6	CMI62-MHBB-1.5x1.5-6-6
WR51	15.0 - 22.0	CMI51-MEBB-.95x.95-6-6	CMI51-MHBB-1.5x1.5-6-6
WR42	18.0 - 26.5	CMI42-MEBB-.77x.77-6-6	CMI42-MHBB-1x1-6-6
WR28	26.5 - 40.0	CMI28-MEBB-.77x.77-6-6	CMI28-MHBB-1x1-6-6

CALL OUR SALES DEPARTMENT FOR MORE INFORMATION OR VARIATIONS OF THIS PRODUCT.

**Corry Micronics, Inc. One Plastics Rd. - Corry, PA 16407
 (814) 664-7728 Fax (814) 664-4582 www.cormic.com**

Corry Micronics Inc. herein referred to CMI, believes this information to be accurate, but makes no warranties, expressed or implied as to the accuracy of this document. CMI assumes no liability for any injury, loss, damage, direct or consequential arising from the use of our products. User assumes all risk whatsoever in connection with it's intended use. CMI also reserves the right to change this document without notice.