



90° Steckergehäuse aus Kunststoff

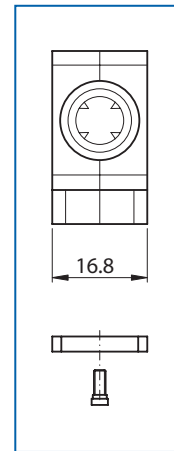
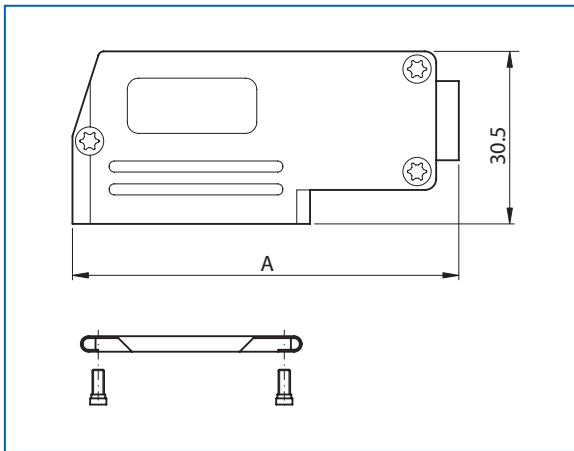
Geschirmt; Mit integrierter Schiebeverriegelung

90° Connector plastic hood

Shielded; With integrated slidelock

- Material Gehäuse: Polycarbonat Type UL94V-0
- Materialschirm: Stahl verzinkt
- Einsetzbar in einem Temperaturbereich von -40°C bis 120°C
- Kabeldurchmesser von 3 mm bis 12 mm

- Material outer backshell: Polycarbonat Type UL94V-0
- Material inner shielding: Zinc plated steel
- Temperature range, -40°C to 120°C
- Cable diameter, 3 mm to 12 mm



Typ	A
DSK 09	56.3 mm
DSK 15	64.3 mm
DSK 25	78.3 mm
DSK 37	94.7 mm

Polzahl	Als Set verpackt
No of pos.	Set packed in bag
09	DSK 09 x
15	DSK 15 x
25	DSK 25 x
37	DSK 37 x

Bestellbezeichnung

Order information

schwarz / black

Crimpeinsatz-Versionen / Ferrule versions

Kabel-Aussen-Durchmesser	Artikel-Bezeichnung x	Kabel
Cable outer diameter	Partnumber x	Cable
∅ 6.0	x = 4.0	Braided Screen
∅ 6.0 (thin braid)	x = 4.5	Braided Screen
∅ 7.0	x = 5.0	Braided Screen
∅ 7.0 (thin braid)	x = 5.5	Braided Screen
∅ 8.0	x = 6.0	Braided Screen
∅ 8.0 (thin braid)	x = 6.5	Braided Screen
∅ 10.2	x = 7.0	Braided Screen
∅ 10.5	x = 7.4	Braided Screen
∅ 10.2	x = 8.0	Braided Screen
∅ 11.2	x = 8.5	Braided Screen
∅ 11.2	x = 8.6	Braided Screen
∅ 11.2 (thin braid)	x = 9.0	Braided Screen

Kabel-Aussen-Durchmesser	Artikel-Bezeichnung x	Kabel
Cable outer diameter	Partnumber x	Cable
∅ 12.0	x = 10.0	Braided Screen
∅ 5.2	x = R 5.3	Braided Screen
∅ 7.5	x = R 7.5	Braided Screen
∅ 8.0	x = R 8.1	Braided Screen
∅ 9.0	x = R 9.0	Braided Screen
∅ 9.8	x = R 9.9	Braided Screen
∅ 10.5	x = R 10.6	Braided Screen
∅ 11.0	x = R 11.0	Braided Screen
∅ 11.7	x = R 11.7	Braided Screen
∅ 4.0-8.6	x = F 8.6	Foil Screen
∅ 7.0	x = F 7N	Foil Screen
∅ 3.0-5.0	x = F Tel	Foil Screen

Montageanleitung auf Anfrage
Assembly instructions on request