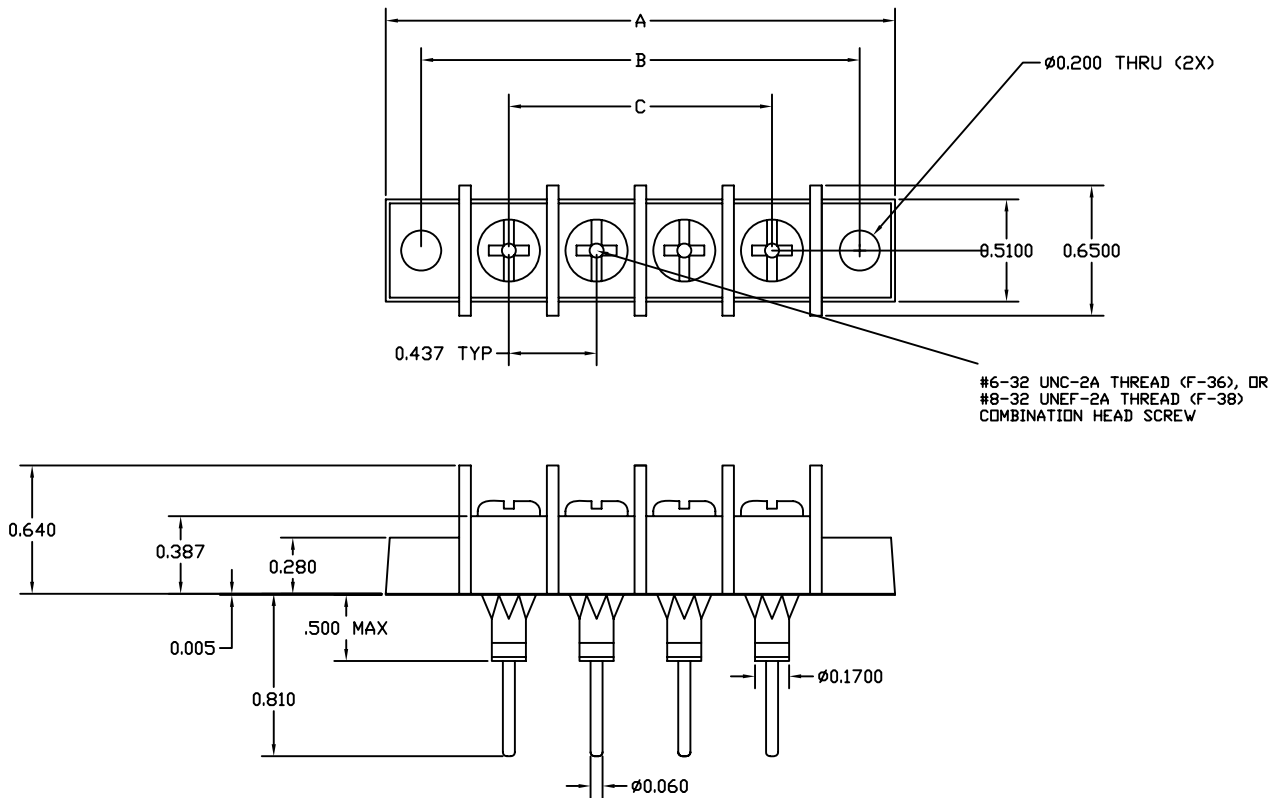


F-36 / F-38 SERIES FILTERED TERMINAL BLOCKS



Materials:

Block: Thermoplastic, UL 94-V0 rated.
 Lead: Tin plated Brass.
 Filters: Ceramic.
 Ground Plate: Tin plated Beryllium Copper.
 Mounting Torque: 8.0 in-lbs Max.

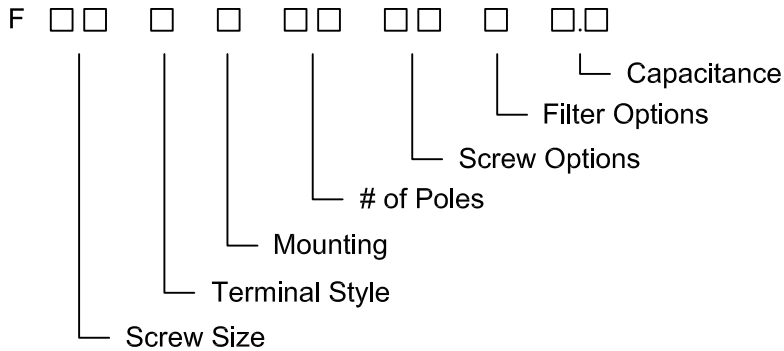
Maximum Soldering Temperature: 260°C
 Operating Temperature: -55°C to +105°C.
 Insulation Resistance @ 25°C: 10000 MΩ Min.
 Compatible Wire Size: 14-22 AWG Copper (Sol/Str)
 Dielectric Withstanding Voltage: 1000 VAC, 1700 VDC.
 UL recognized: UL File No. E62622

CALL OUR SALES DEPARTMENT FOR MORE INFORMATION OR VARIATIONS OF THIS PRODUCT.

**Corry Micronics, Inc. One Plastics Rd. - Corry, PA 16407
 (724) 940-7556 (x 138 or x136) Fax (724) 940-7707 www.cormic.com**

Corry Micronics Inc, herein referred to as CMI, believes this information to be accurate, but makes no warranties, expressed or implied, as to the accuracy of this document. CMI assumes no liability for any injury, loss, damage, direct or consequential, arising from the use of our products. User assumes all risk whatsoever, in connection with it's intended use. CMI also reserves the right to change this document without notice.

F-36 / F-38 SERIES FILTERED TERMINAL BLOCKS



Dimensional Data			
# of Poles	A	B	C
2	1.67	1.31	0.44
3	2.10	1.75	0.88
4	2.54	2.19	1.31
5	2.98	2.63	1.75
6	3.41	3.06	2.19

Screw Size:

36 = #6-32
38 = #8-32

Terminal Style:

0 = Straight Lead
1 = $\frac{3}{16}$ " Quick Connect - Male
2 = $\frac{3}{16}$ " Quick Connect - Female
3 = $\frac{1}{4}$ " Quick Connect - Male
4 = $\frac{1}{4}$ " Quick Connect - Female

Mounting:

0 = Front Panel Mount with Mount Ends
1 = Rear panel Mount w/ #4-40 inserts
(Consult factory for details)

of Poles:

02 = 2 poles
03 = 3 Poles
Up to
06 = 6 Poles

Screw Options:

Blank = Steel, Zinc Plated, Philslot
04 = Brass, Nickel Plated, Philslot
07 = Sems Screw

Filter Options:

C = "C" Circuit
P = "Pi" Circuit

Capacitance:

1.0 = 1000 pF (+100%, -0%)
2.5 = 2500 pF (+100%, -0%)
5.0 = 5000 pF (+100%, -0%)
10.0 = 10,000 pF (+100%, -0% - "C" Circuit only)

Sample Part Number:

F380004P2.5

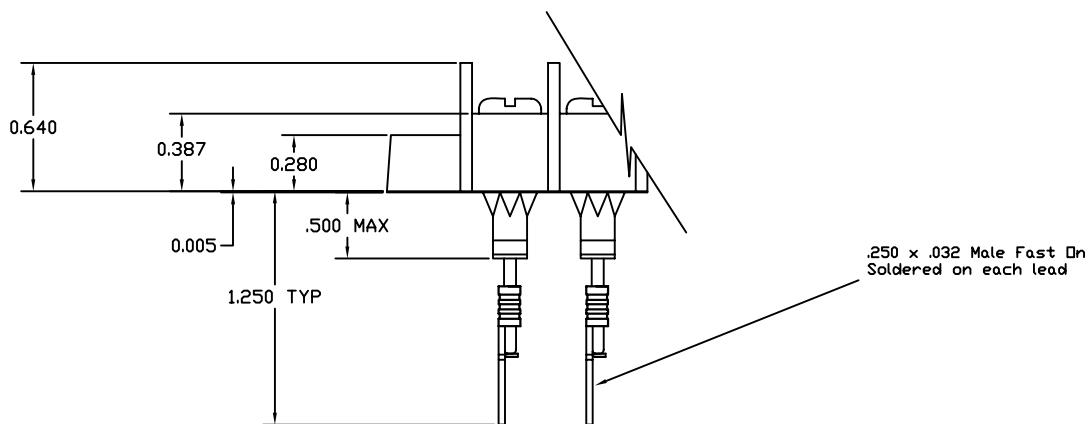
#8-32, Straight Lead, Front Panel Mount, 4 Pole, Steel - Zinc plated screws
"Pi" Circuit, 2500 pF.

CALL OUR SALES DEPARTMENT FOR MORE INFORMATION OR VARIATIONS OF THIS PRODUCT.

**Corry Micronics, Inc. One Plastics Rd. - Corry, PA 16407
(724) 940-7556 (x138 or x136) Fax (724) 940-7707 www.cormic.com**

Corry Micronics Inc, herein referred to as CMI, believes this information to be accurate, but makes no warranties, expressed or implied, as to the accuracy of this document. CMI assumes no liability for any injury, loss, damage, direct or consequential, arising from the use of our products. User assumes all risk whatsoever, in connection with it's intended use. CMI also reserves the right to change this document without notice.

F-36 / F-38 SERIES FILTERED TERMINAL BLOCKS Quick Connect Option



CALL OUR SALES DEPARTMENT FOR MORE INFORMATION OR VARIATIONS OF THIS PRODUCT.

**Corry Micronics, Inc. One Plastics Rd. - Corry, PA 16407
(724) 940-7556 (x138 or x136) Fax (724) 940-7707 www.cormic.com**

Corry Micronics Inc, herein referred to as CMI, believes this information to be accurate, but makes no warranties, expressed or implied, as to the accuracy of this document. CMI assumes no liability for any injury, loss, damage, direct or consequential, arising from the use of our products. User assumes all risk whatsoever, in connection with it's intended use. CMI also reserves the right to change this document without notice.