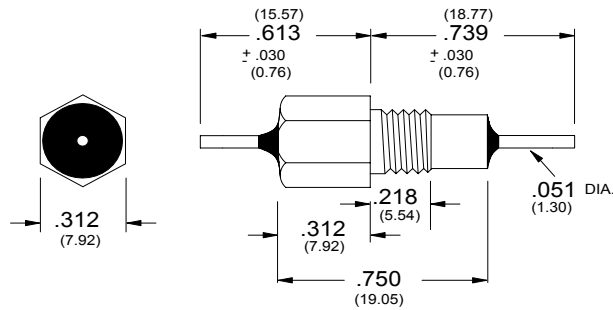


FT2-01-XXXX FEEDTHRU CAPACITOR



1/4-28 UNF-2A THREAD
(X.XX) = MILLIMETERS

Materials:

Case: Silver Plated Per QQ-S-365A
Lead: Copper or Copper Clad Steel, 60/40 Solder Coated
Epoxy Sealed, Both Ends

Insulation Resistance @ 25 °C: 10 GΩ Min.
Dissipation Factor: .035 Max.
Max. Current: 15 Amps DC
Operating Temperature: -55 °C - +85 °C
Recommended Mounting Torque: 8 Inch/Lbs Max.

PART NUMBER	CAPACITANCE	TOLERANCE	WVDC	DWV	TYPICAL NO LOAD INSERTION LOSS (dB) @ 25 °C PER MIL-STD-220			
					1 MHZ	10 MHZ	100 MHZ	1GHz
FT2-01-102P	1,000 pF	-0% +100%	500	1000	-	5	20	28
FT2-01-102M	1,000 pF	-20% +20%	500	1000	-	5	20	28
FT2-01-152M	1,500 pF	-20% +20%	500	1000	-	5	25	30
FT2-01-103A1KV	10,000 pF	-20% +100%	1000	1500	-	24	35	55

CALL OUR SALES DEPARTMENT FOR MORE INFORMATION OR VARIATIONS OF THIS PRODUCT.

**Corry Micronics, Inc. One Plastics Rd. - Corry, PA 16407
(814) 664-7728 Fax (814) 664-4582 www.cormic.com**

Corry Micronics Inc. herein referred to CMI, believes this information to be accurate, but makes no warranties, expressed or implied as to the accuracy of this document. CMI assumes no liability for any injury, loss, damage, direct or consequential arising from the use of our products. User assumes all risk whatsoever in connection with it's intended use. CMI also reserves the right to change this document without notice.