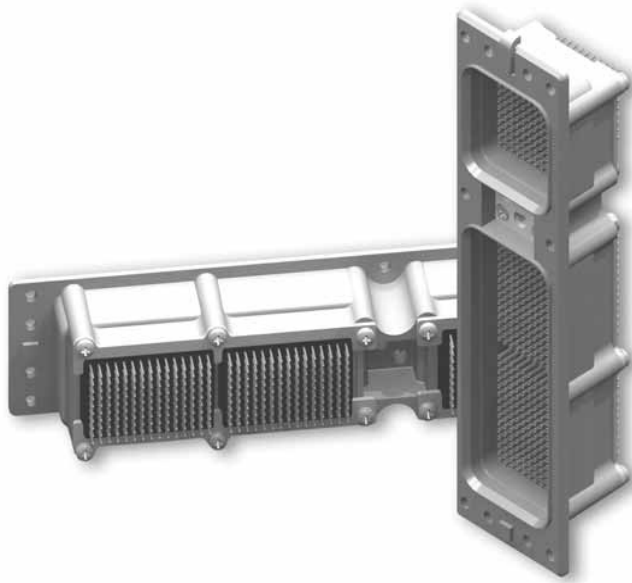


ARINC 600

Other Connector Families



ARINC 600, Rack & Panel Connector Series, feature low insertion force contacts.

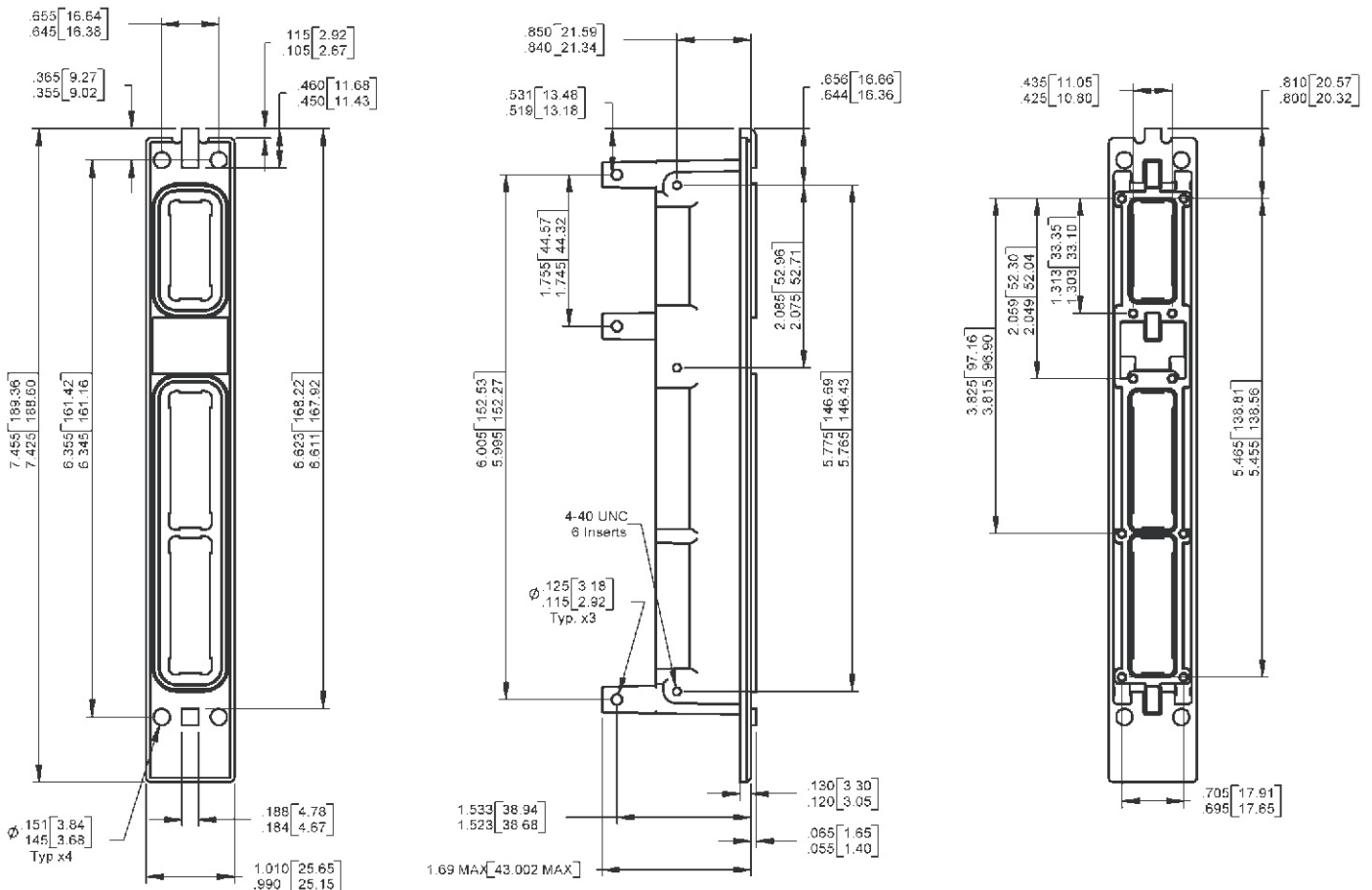
The ARINC 600 connectors are available both in environmental resistant and non-resistant versions.

The series uses contact sizes of #1, #8, #12, #16, #20, #22 and Coax sizes of #1, #5, #8.

The connectors are available in 3 sizes: size 1 (low profile) and size 2 with 3 gangs only, while size 3 comprises 6 gangs (the maximum number of contacts of #22 is 800).

The ARINC 600 connectors are used mainly in avionic applications.

Filters and protection components are built in fixed and/or replaceable modules. A diversity of filters and protection types as well as power line filters can be applied to meet RTCA specification.



ARINC 600

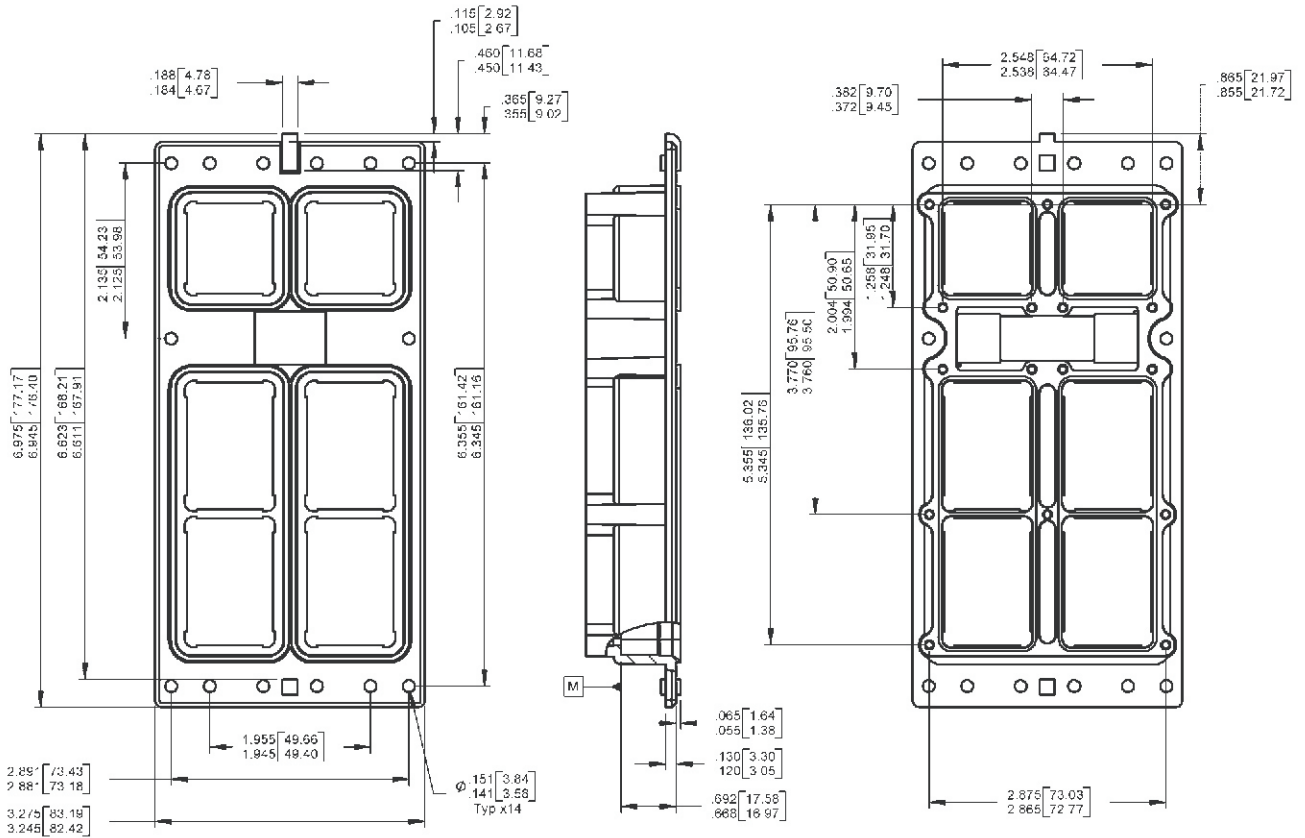
CALL OUR SALES DEPARTMENT FOR MORE INFORMATION OR VARIATION OF THIS PRODUCT

Corry Micronics, Inc. One Plastics Rd. - Corry, PA 16407
(814) 664-7728 Fax (814) 664-4582 www.cormic.com

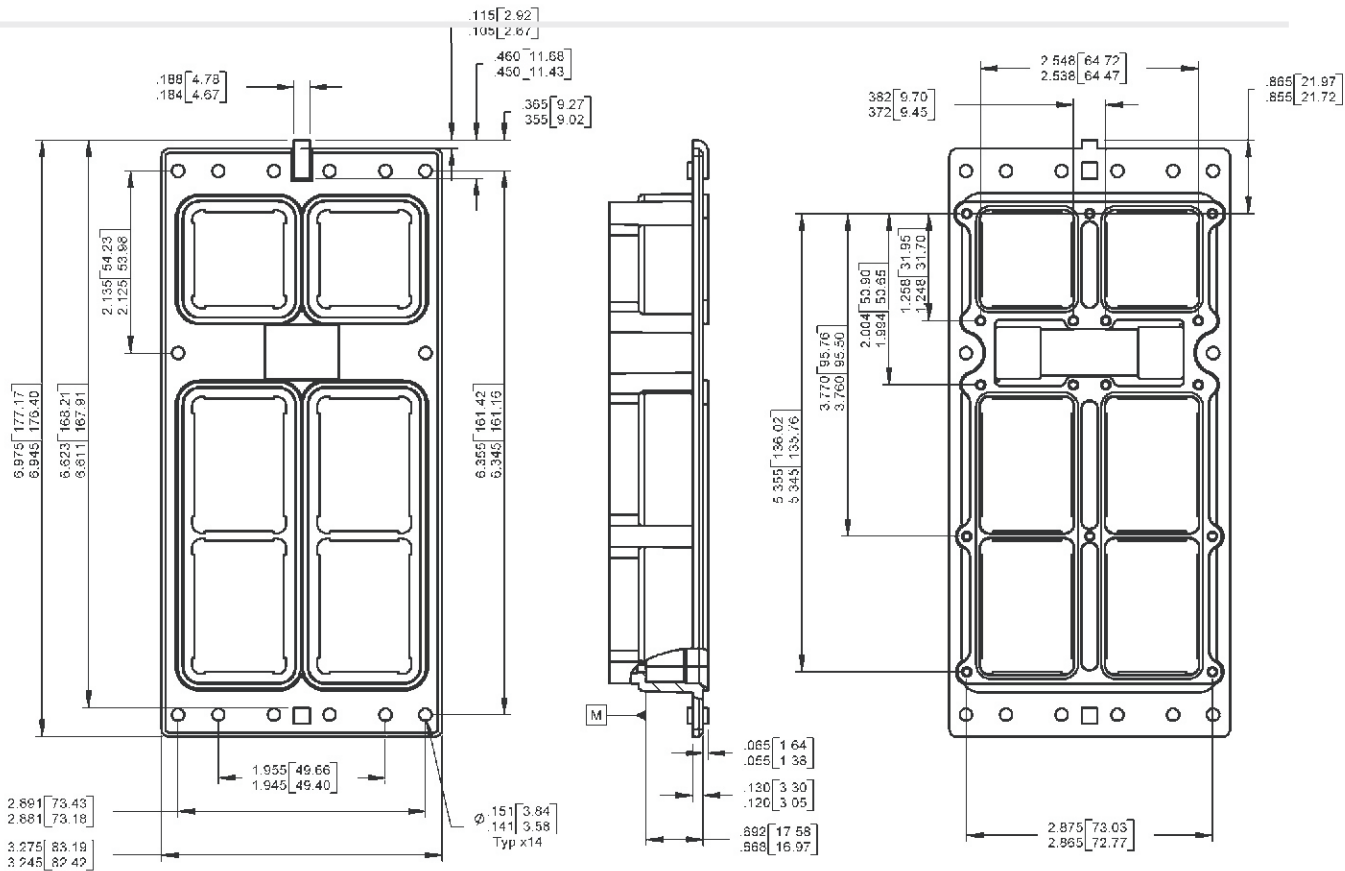
Corry Micronics Inc. herein referred to CMI, believes this information to be accurate, but makes no warranties, expressed or implied as to the accuracy of this document. CMI assumes no liability for any injury, loss, damage, direct or consequential arising from the use of our products. User assumes all risk whatsoever in connection with it's intended use. CMI also reserves the right to change this document without notice.

ARINC 600

Other Connector Families



ARINC 600



CALL OUR SALES DEPARTMENT FOR MORE INFORMATION OR VARIATION OF THIS PRODUCT

Corry Micronics, Inc. One Plastics Rd. - Corry, PA 16407
 (814) 664-7728 Fax (814) 664-4582 www.cormic.com

Corry Micronics Inc. herein referred to CMI, believes this information to be accurate, but makes no warranties, expressed or implied as to the accuracy of this document. CMI assumes no liability for any injury, loss, damage, direct or consequential arising from the use of our products. User assumes all risk whatsoever in connection with it's intended use. CMI also reserves the right to change this document without notice.

ARINC 404

Other Connector Families



The ARINC 404 connectors are one-piece shell miniature rack and panel connectors. They are available in one-, two-, three-, and four-gang versions with ARINC 404 standard shells.

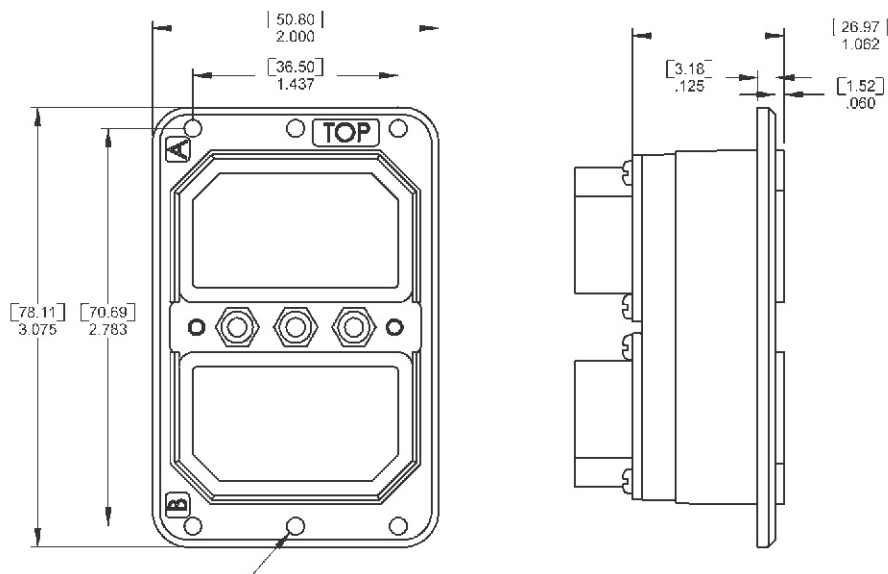
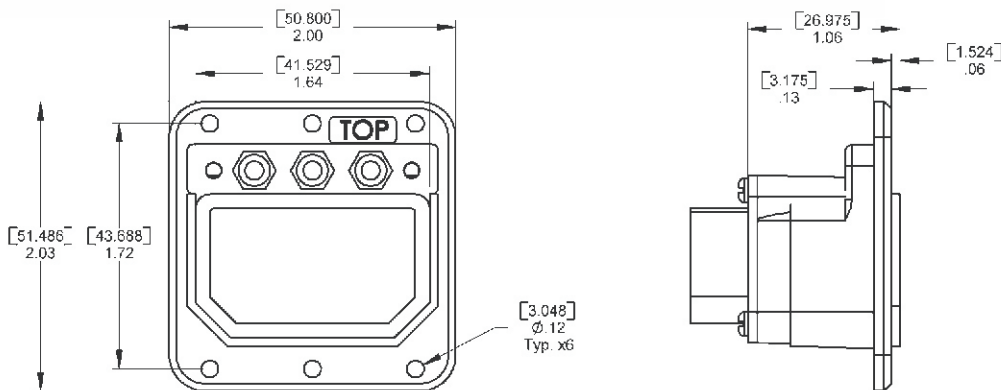
The shells are keystone-shaped for polarization. The use of 3 hexagonal polarization posts provides up to 99 unique polarization positions.

The plug and receptacle connectors can include RFI fingers for better conductivity. Receptacle gangs are available.

The series uses contact sizes of #4, #8, #12, #16, #20, #22, and Coax sizes #5, #9, #11 per MIL-C-81659.

The ARINC 404 connectors are used mainly for avionic applications.

Filters and protection components are built in fixed and/or replaceable modules. A diversity of filters and protection types as well as power line filters can be applied to meet RTCA specification.



ARINC 404

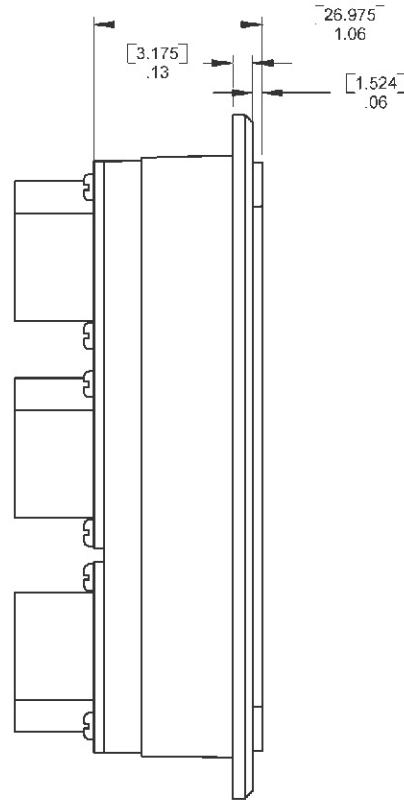
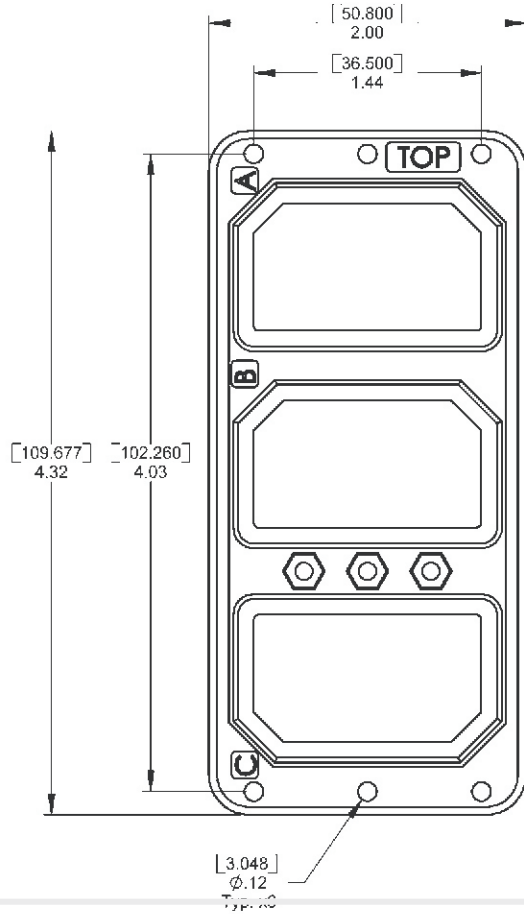
CALL OUR SALES DEPARTMENT FOR MORE INFORMATION OR VARIATION OF THIS PRODUCT

Corry Micronics, Inc. One Plastics Rd. - Corry, PA 16407
(814) 664-7728 Fax (814) 664-4582 www.cormic.com

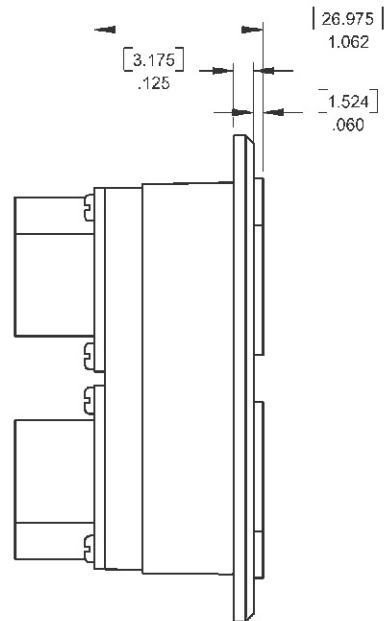
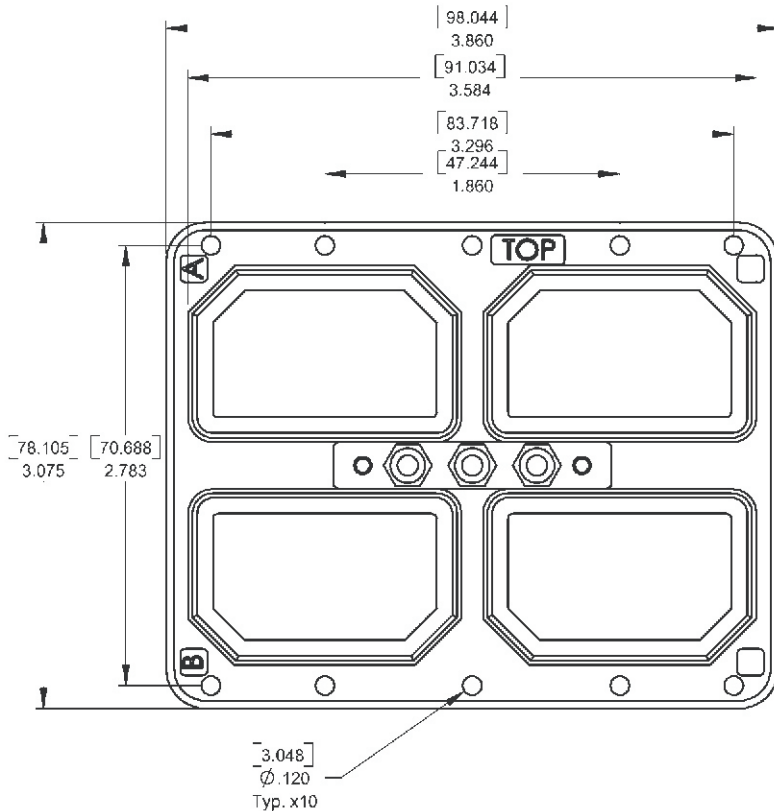
Corry Micronics Inc. herein referred to CMI, believes this information to be accurate, but makes no warranties, expressed or implied as to the accuracy of this document. CMI assumes no liability for any injury, loss, damage, direct or consequential arising from the use of our products. User assumes all risk whatsoever in connection with its intended use. CMI also reserves the right to change this document without notice.

ARINC 404

Other Connector Families



ARINC 404



CALL OUR SALES DEPARTMENT FOR MORE INFORMATION OR VARIATION OF THIS PRODUCT

Corry Micronics, Inc. One Plastics Rd. - Corry, PA 16407
(814) 664-7728 Fax (814) 664-4582 www.cormic.com

Corry Micronics Inc. herein referred to CMI, believes this information to be accurate, but makes no warranties, expressed or implied as to the accuracy of this document. CMI assumes no liability for any injury, loss, damage, direct or consequential arising from the use of our products. User assumes all risk whatsoever in connection with it's intended use. CMI also reserves the right to change this document without notice.

DPK

Other Connector Families

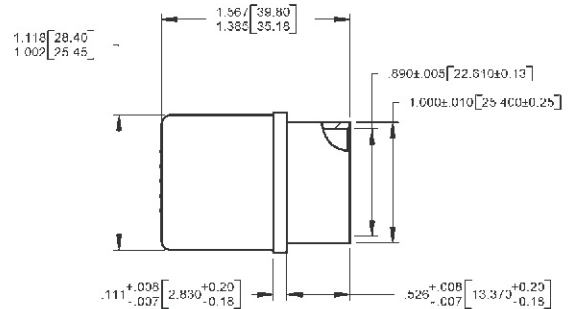
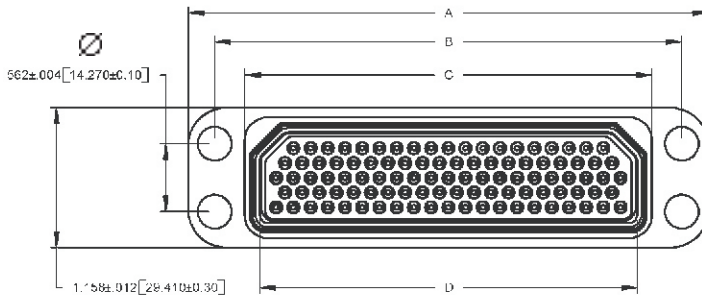


The DPK series rectangular connectors are high performance and environment-resistant.

The DPK connectors have up to 185 contacts with sizes of #22D, #20, #16, #12 per MIL-C- 83733.

The DPK connectors are used mainly in avionic applications. Filters and transient protection components are built in as constant and/or replaceable modules.

A diversity of filter and transient protection types and of power line filters can be applied to meet the stringent requirements of MIL-STD-461 and RTCA DO160D.



DPK

Shell Size	A Max	B Max	C Max	D ± 0.2 [± .008]
DPKA	.979 [24.87]	.596/.590 [15.14/14.99]	.829 [21.06]	.625 [15.88]
DPKB	1.104 [28.05]	.721/.715 [18.03/18.16]	.954 [24.24]	.750 [19.05]

CALL OUR SALES DEPARTMENT FOR MORE INFORMATION OR VARIATION OF THIS PRODUCT

Corry Micronics, Inc. One Plastics Rd. - Corry, PA 16407
(814) 664-7728 Fax (814) 664-4582 www.cormic.com

Corry Micronics Inc. herein referred to CMI, believes this information to be accurate, but makes no warranties, expressed or implied as to the accuracy of this document. CMI assumes no liability for any injury, loss, damage, direct or consequential arising from the use of our products. User assumes all risk whatsoever in connection with its intended use. CMI also reserves the right to change this document without notice.

Miscellaneous

Audio



Other Connector Families

Corry Micronics, Inc. is a leading provider of filtered audio connectors for military tactical ground communication systems.

The filtered audio connectors are exactly identical to the standard audio connectors in material, finish, electrical characteristics and in their capability to withstand hostile environmental conditions.

MIL-C-55116 compatible connectors with 5, 6 and 7 contacts are available in the same shell size. Miniature Audio Connector VBA series with 7 and 10 contacts that meets the VG 95351 and VG 96934 standards is also available.

PCB and solder cup contact terminations are offered.

Filter diversity combined with transient protection are available in a standard connector shell.

MIL-C-5015



These connectors accommodate contact sizes of 0 to 16 and shell sizes of 8 to 40.

Multiple interlock systems ensure permanent insert retention.

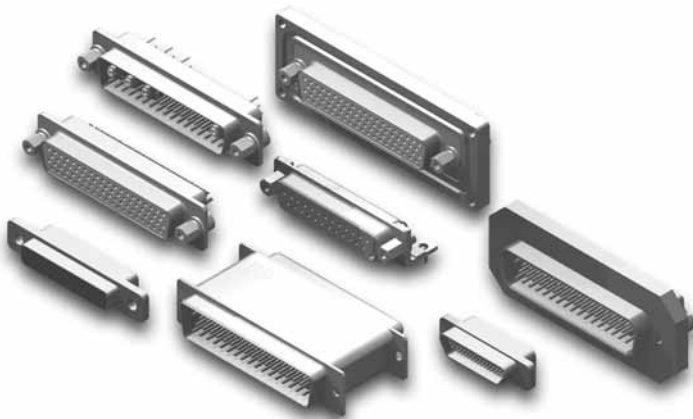
Complete environmental sealing is achieved by individually sealing the connector inner components. The circular connector series includes a self-locking plug version.

These connectors are available with cadmium- or nickel-finished aluminum shells. Shells of passivated stainless steel are also available.

The connectors can mate with non-filtered connectors and are drop-in replacements for non-filtered connectors.

Non-standard filter connector body sizes and shapes and insert arrangements are available.

D-Type



The D-type filtered connector family features D-Sub STD density, high density, combo and MDM connectors. We offer standard as well as custom-design configurations in form of sealed or special shell design connectors for extreme environmental conditions.

The D-type product line also includes adapters in a variety of sizes and configuration. Our filtering solutions for these families are provided in form of C, L & PI section filters and can also contain transient protection all enclosed in the standard shell dimensions. Please refer to our D-Sub catalog for more information.

CALL OUR SALES DEPARTMENT FOR MORE INFORMATION OR VARIATION OF THIS PRODUCT

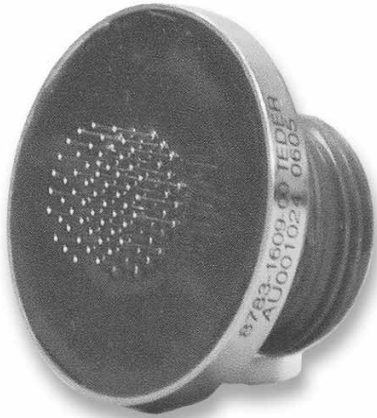
Corry Micronics, Inc. One Plastics Rd. - Corry, PA 16407
(814) 664-7728 Fax (814) 664-4582 www.cormic.com

Corry Micronics Inc. herein referred to CMI, believes this information to be accurate, but makes no warranties, expressed or implied as to the accuracy of this document. CMI assumes no liability for any injury, loss, damage, direct or consequential arising from the use of our products. User assumes all risk whatsoever in connection with its intended use. CMI also reserves the right to change this document without notice.

Selected Projects



A filter connector for military applications, based on D38999/24 Jam Nut connector with the custom back shell. A power line filter and signal line filter are enclosed in its housing with a high filter attenuation from 1kHz up to 1GHz.



A filtered connector for ground mobile military applications based on D38999/24 Jam Nut connector with a custom low profile back shell (less than the standard connector depth). It contains 28V/12A power line filter, double L section filter with $F_{co}=6\text{kHz}$ and a diversity of additional signal filters.



A filtered connector and an EMP protection for military applications with special back shell design. A 28V/10A Per MIL-STD-1275 power line filter and an EMP protection built in a low profile connector with the same depth as the standard one.

CALL OUR SALES DEPARTMENT FOR MORE INFORMATION OR VARIATION OF THIS PRODUCT

Corry Micronics, Inc. One Plastics Rd. - Corry, PA 16407
(814) 664-7728 Fax (814) 664-4582 www.cormic.com

Corry Micronics Inc. herein referred to CMI, believes this information to be accurate, but makes no warranties, expressed or implied as to the accuracy of this document. CMI assumes no liability for any injury, loss, damage, direct or consequential arising from the use of our products. User assumes all risk whatsoever in connection with its intended use. CMI also reserves the right to change this document without notice.

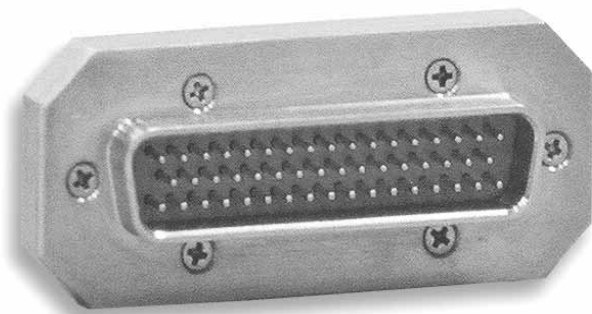
Selected Projects



A220V/5A/50-60Hz/1 phase power line filter for telecom and military applications, DM filters and CM filters. The filter has Fco= 1kHz combined with lightning transient protection (20 J Pulse energy). The filters are integrated in a D38999/24 Jam Nut connector with a special extended back shell.



A custom-design connector developed by Corry Micronics, Inc. with an EMI filter for use in military applications. It features easy and quick mating and disconnecting and contains PI filters for frequencies ranging from 10kHz to 1GHz.



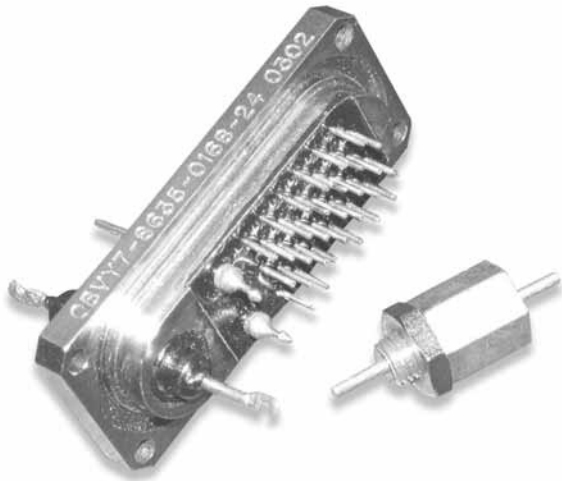
A hermetically sealed filtered connector based on D-Type 50 pin cavity. It is designed to meet extreme environmental conditions. A PI section filter is enclosed within similar dimensions of a standard D-Type connector.

CALL OUR SALES DEPARTMENT FOR MORE INFORMATION OR VARIATION OF THIS PRODUCT

Corry Micronics, Inc. One Plastics Rd. - Corry, PA 16407
(814) 664-7728 Fax (814) 664-4582 www.cormic.com

Corry Micronics Inc. herein referred to CMI, believes this information to be accurate, but makes no warranties, expressed or implied as to the accuracy of this document. CMI assumes no liability for any injury, loss, damage, direct or consequential arising from the use of our products. User assumes all risk whatsoever in connection with its intended use. CMI also reserves the right to change this document without notice.

Selected Projects



A hermetically sealed filter plate interface for armed mobile military applications. It contains a 20A power line and signal line feed-through filters.



A 10A DC power line feed-through filter for DC and/or control lines, a PI filter operating at frequency range of up to 1GHz.



A 40A DC power line feed-through filter for DC lines with operating voltage of up to 100V. It contains a double PI section filter operating at a frequency range of up to 1GHz.

CALL OUR SALES DEPARTMENT FOR MORE INFORMATION OR VARIATION OF THIS PRODUCT

Corry Micronics, Inc. One Plastics Rd. - Corry, PA 16407
(814) 664-7728 Fax (814) 664-4582 www.cormic.com

Corry Micronics Inc. herein referred to CMI, believes this information to be accurate, but makes no warranties, expressed or implied as to the accuracy of this document. CMI assumes no liability for any injury, loss, damage, direct or consequential arising from the use of our products. User assumes all risk whatsoever in connection with its intended use. CMI also reserves the right to change this document without notice.