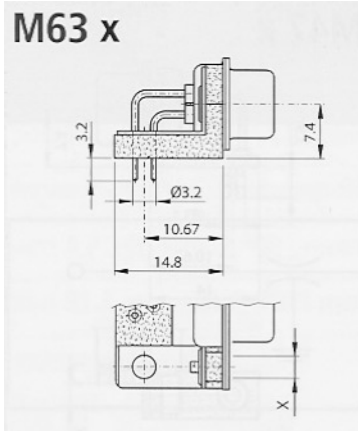
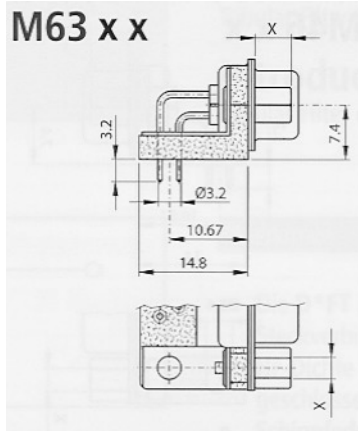


# CORRY Micronics

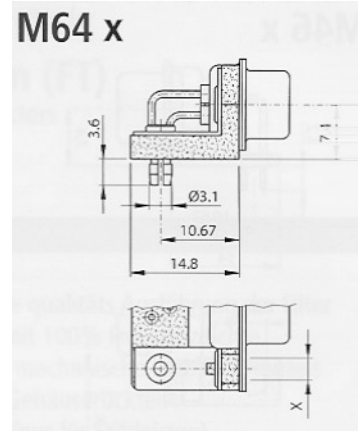
## Assemblies (FP) Mounting Height 7.4 mm



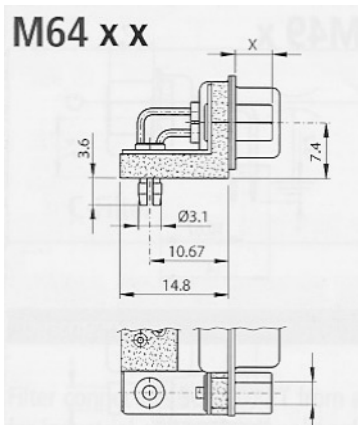
D3 Rivet 3.1 mm  
UN Back Nut UNC4-40  
M3 Back Nut M3



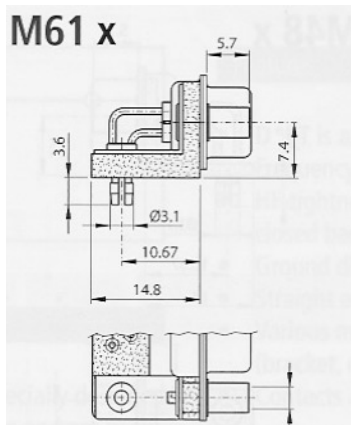
UN B5 Back Nut UNC4-40  
Screw 5 mm  
UN B6 Back Nut UNC4-40  
Screw 6 mm  
M3 B5 Back Nut M3  
Screw 5 mm  
M3 B6 Back Nut  
Screw 6 mm



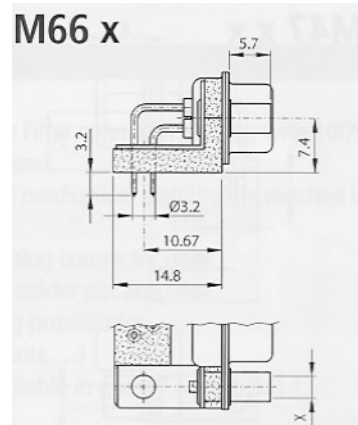
D3 Rivet 3.1 mm  
UN Back Nut UNC4-40  
M3 Back Nut M3



UN B5 Back Nut UNC4-40  
Screw 5 mm  
UN B6 Back Nut UNC4-40  
Screw 6 mm  
M3 B5 Back Nut M3  
Screw 5 mm  
M3 B6 Back Nut  
Screw 6 mm



UN Front Nut UNC4-40  
M3 Front Nut M3



UN Front Nut UNC4-40  
M3 Front Nut M3