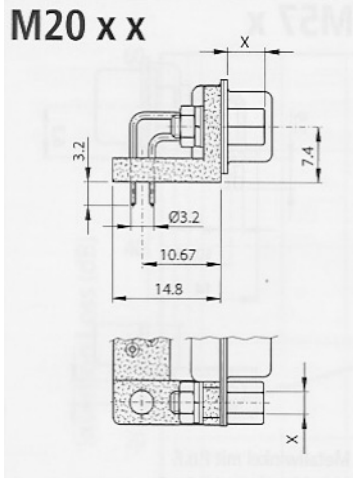
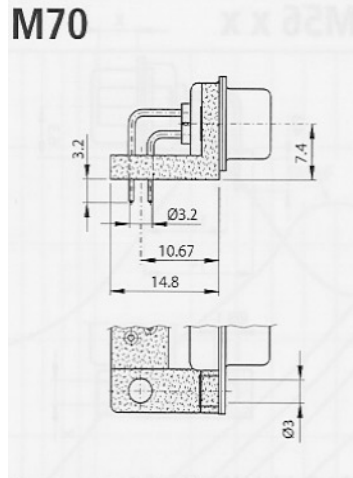


CORRY Micronics

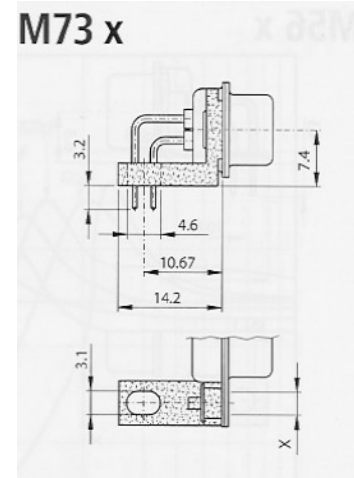
Assemblies (FP) Mounting Height 7.4



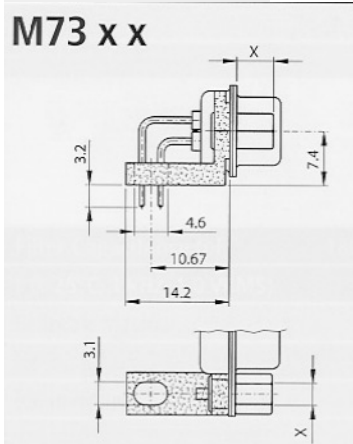
UN B5 Screw
UNC4-40 5 mm
UN B6 Screw
UNC4-40 6 mm
M3 B5 Screw
M3 5 mm
M3 B6 Screw
M3 6 mm



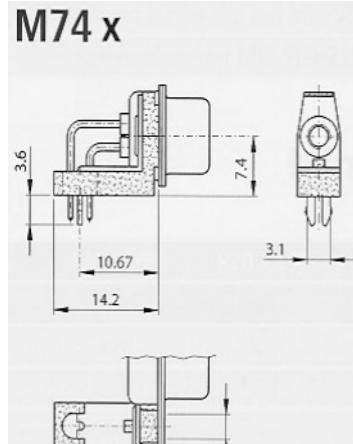
M70 Rivet 3.1 mm



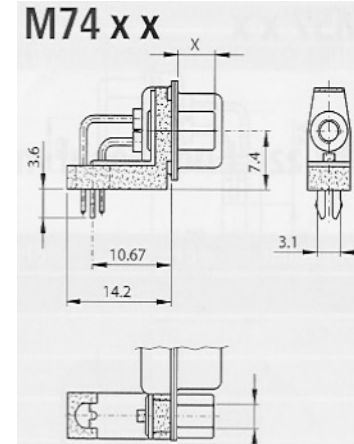
UN Back Nut UNC4-40
M3 Back Nut M3



UN B5 Back Nut UNC4-40
Screw 5 mm
UN B6 Back Nut UNC4-40
Screw 6 mm
M3 B5 Back Nut M3
Screw 5 mm
M3 B6 Back Nut
Screw 6 mm



UN Front Nut UNC4-40
M3 Front Nut M3



UN B5 Back Nut UNC4-40
Screw 5 mm
UN B6 Back Nut UNC4-40
Screw 6 mm
M3 B5 Back Nut M3
Screw 5 mm
M3 B6 Back Nut M3
Screw 6 mm