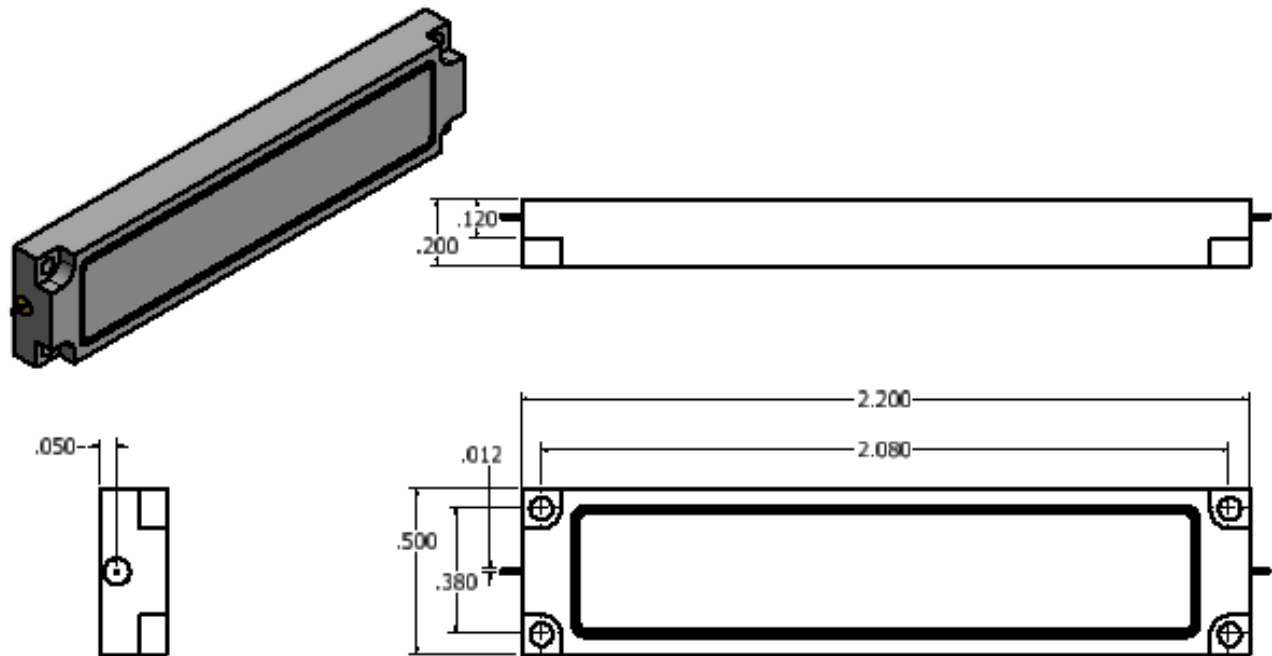


**CMIBPF-1650
Band Pass Filter**

Center Frequency	1650 MHz
Pass Band Frequency	1400-1900 MHz
Pass Band Insertion Loss	3 dB Max
Pass Band Ripple	±0.5 dB Max
Pass Band VSWR	1.8:1
Input Power No Damage	15 dBm Min
Rejection: <1160MHz	-30 dBc
Rejection: DC-1000MHz	-50 dBc
Rejection: 2000-2100 MHz	-15 dBc
Rejection: 2100-4200 MHz	-45 dBc
Sealing	Gross Leak Level



CALL OUR SALES DEPARTMENT FOR MORE INFORMATION OR VARIATIONS OF THIS PRODUCT.

Corry Micronics, Inc. One Plastics Rd. - Corry, PA 16407

(724) 940-7556 ext. 138 Fax (724) 940-7707 www.cormic.com

Corry Micronics Inc. herein referred to CMI, believes this information to be accurate, but makes no warranties, expressed or implied as to the accuracy of this document. CMI assumes no liability for any injury, loss, damage, direct or consequential arising from the use of our products. User assumes all risk whatsoever in connection with it's intended use. CMI also reserves the right to change this document without notice. 7/21/14