



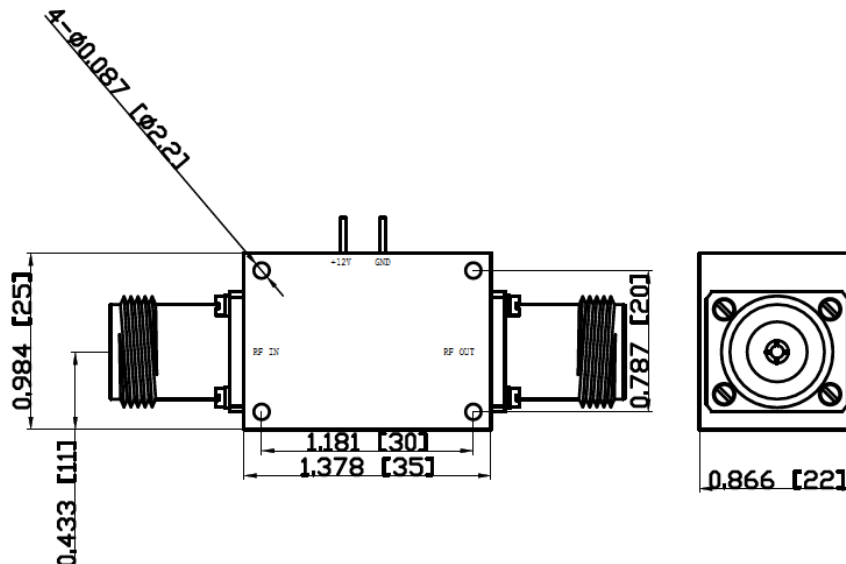
CORRY MICRONICS, INC PRODUCT SPECIFICATION

CMILNA-0726F15 0.7-2.6 GHz LOW NOISE AMPLIFIER

Electrical Specifications

Parameters	Specifications
Frequency Range	0.7~2.6GHz
Gain	≥25dB, ≤30dB
Gain Flatness	±1dB
Noise Figure	≤1.5dB
VSWR	≤2.0:1
P1dB	≥12dBm
Power Supply	+12V/100mA
Port Connectors	N-Female
Operating Temp.	-20°C~+70°C
Surface Finish	Natural color conductive oxidation

Dimensions (Inches)



CALL OUR SALES DEPARTMENT FOR MORE INFORMATION OR VARIATIONS OF THIS PRODUCT.

Corry Micronics, Inc. One Plastics Rd. - Corry, PA 16407
(724) 940-7556 ext. 138 Fax (724) 940-7707 www.cormic.com

Corry Micronics Inc. herein referred to CMI, believes this information to be accurate, but makes no warranties, expressed or implied as to the accuracy of this document. CMI assumes no liability for any injury, loss, damage, direct or consequential arising from the use of our products. User assumes all risk whatsoever in connection with it's intended use. CMI also reserves the right to change this document without notice. 03/08/2017