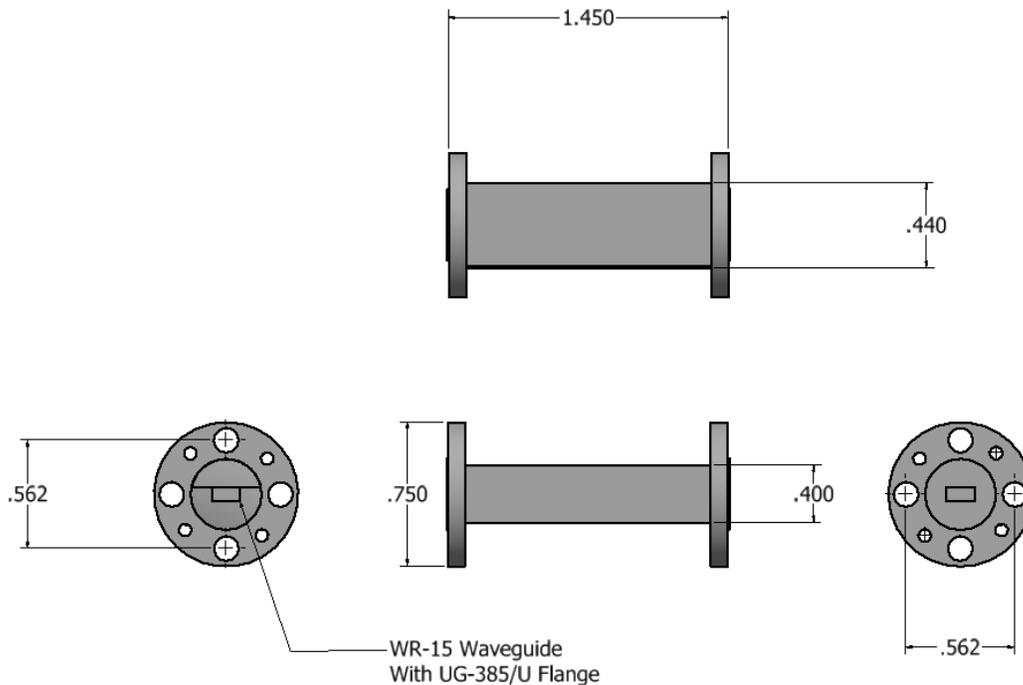




CORRY MICRONICS, INC PRODUCT SPECIFICATION

CMI-WR15-S1.45 V-Band Waveguide

Parameters	Specifications
Frequency Range	61.9~63.7GHz
Insertion Loss	≤1.0dB
Ripple in Band	≤0.4dB
Return Loss	≥15dB
Rejection	≥60dB@60GHz ≥60dB@66GHz
Waveguide	WR-15
Flange Designation	UG-385/U
Surface Finish	Powder Coated Beige
Size	Approx. 1.45" x 0.40" x 0.75" <i>(All dimensions below are in inches)</i>

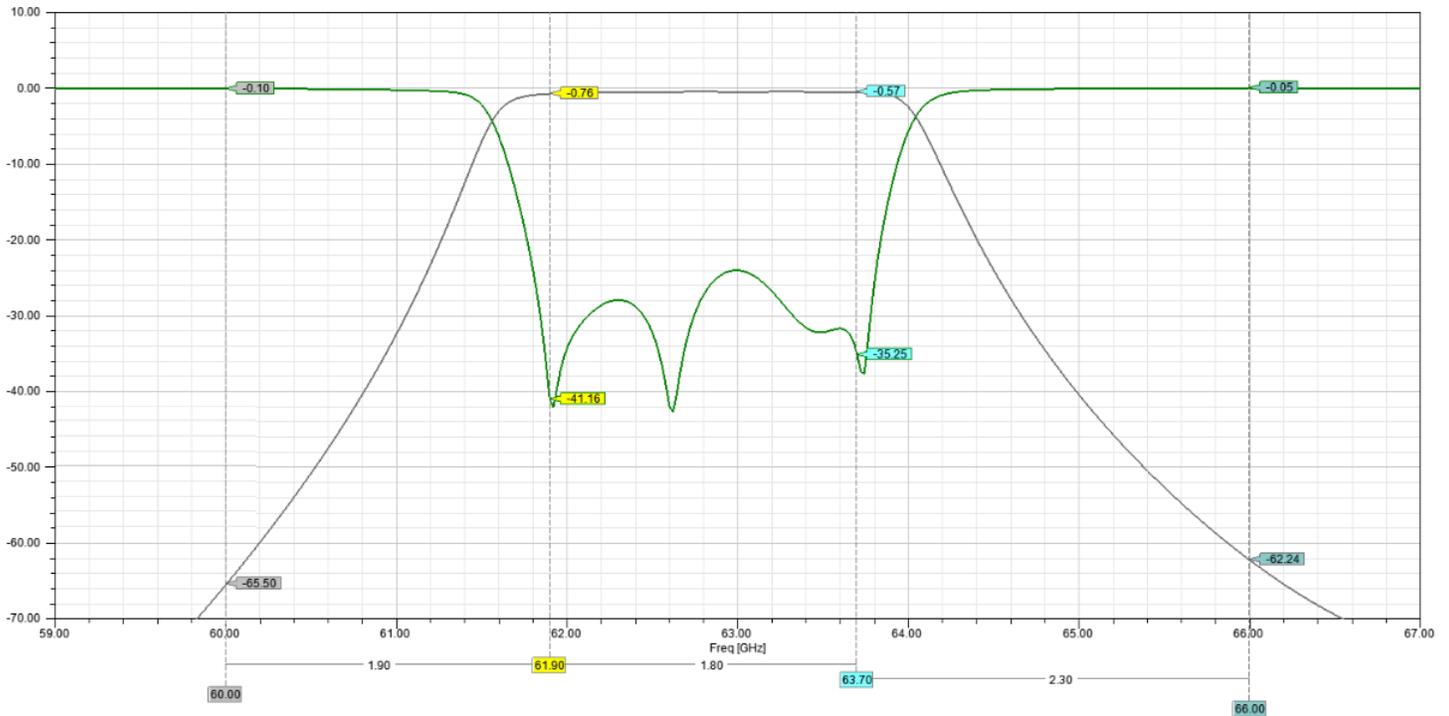


CALL OUR SALES DEPARTMENT FOR MORE INFORMATION OR VARIATIONS OF THIS PRODUCT.

Corry Micronics, Inc. One Plastics Rd. - Corry, PA 16407
(724) 940-7556 ext. 138 Fax (724) 940-7707 www.cormic.com

Corry Micronics Inc. herein referred to CMI, believes this information to be accurate, but makes no warranties, expressed or implied as to the accuracy of this document. CMI assumes no liability for any injury, loss, damage, direct or consequential arising from the use of our products. User assumes all risk whatsoever in connection with its intended use. CMI also reserves the right to change this document without notice. 9/17/2018

Response



CALL OUR SALES DEPARTMENT FOR MORE INFORMATION OR VARIATIONS OF THIS PRODUCT.

Corry Micronics, Inc. One Plastics Rd. - Corry, PA 16407
(724) 940-7556 ext. 138 Fax (724) 940-7707 www.cormic.com

Corry Micronics Inc. herein referred to CMI, believes this information to be accurate, but makes no warranties, expressed or implied as to the accuracy of this document. CMI assumes no liability for any injury, loss, damage, direct or consequential arising from the use of our products. User assumes all risk whatsoever in connection with its intended use. CMI also reserves the right to change this document without notice. 03/08/2017