



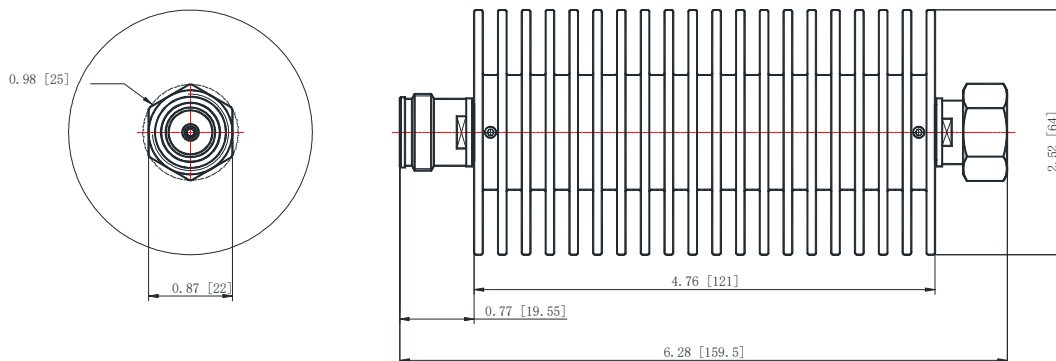
CMIAT-06A20P100MD

Coaxial Fixed Attenuator

Specifications

Parameters	Specifications
Frequency Band	DC~6 GHz
VSWR	$\leq 1.25:1$ @ DC~3 GHz $\leq 1.30:1$ @ 3~6 GHz
Attenuation	20 dB
Attenuation Accuracy	± 0.75 dB @ DC~3 GHz ± 1.0 dB @ 3~6 GHz
Input Power	100 W CW @ +25°C – Input Side (Derate linearly to 20 Watts @ +125°C) 20 W CW – Output Side
Peak Power	1000W (5 microsecond pulse, 0.05% duty cycle)
Port Connectors	Input Port: 4.3/10-Male / Output Port: 4.3/10-Female
Impedance	50Ω
Temp. Range	-55 °C ~ +125 °C
Surface Finish	Oxidative Blackening (Heat Sink)

Outline Drawing



CALL OUR SALES DEPARTMENT FOR MORE INFORMATION OR VARIATIONS OF THIS PRODUCT.

Corry Micronics, Inc. One Plastics Rd. - Corry, PA 16407
(724) 940-7556 ext. 138 Fax (724) 940-7707 www.cormic.com

Corry Micronics Inc. herein referred to CMI, believes this information to be accurate, but makes no warranties, expressed or implied as to the accuracy of this document. CMI assumes no liability for any injury, loss, damage, direct or consequential arising from the use of our products. User assumes all risk whatsoever in connection with its intended use. CMI also reserves the right to change this document without notice. 08/02/2018