



CORRY MICRONICS, INC **PRODUCT SPECIFICATION**

**CMIPA-L18P10
LTE-FDD SOLID STATE HIGH POWER AMPLIFIER**

Functions

Description
Operating Temperature Monitor and Alarm
Serial Control Attenuator, 0.5 dB LSB Steps to 31.5 dB
PA Output Monitor and Alarm
PA Reverse Power Monitor and Alarm

Electrical Specifications

Parameters	Specifications
Operating Frequency	1710 - 1785 MHz / 1805 – 1880 MHz
Signal Type	LTE-FDD, PAR 8 dB
Output Power	≥40 dBm
ACLR	≤-32 dBc
TX Gain	≥50 dB
Transmit Gain Flatness	≤±0.6 dB
Transmit Input VSWR	≤1.5:1
TX Efficiency	≥22%
RX NF	≤3 dB
RX gain	≥25 dB
Receive Gain Flatness	≤±0.6 dB
Receive Input VSWR	≤2:1
Power Supply	+28V
RF Connectors PA Out and LNA In	SMA- Female
RF Connectors PA In and LNA Out	MCX-50KE
Power Connectors	Socket with Thread, Connect with Ring Terminal and M3 Screw
Control Connector	2.5 mm pitch 5 pin Connector
Dimensions	See Attached Drawing (Dimensions are in mm)

CALL OUR SALES DEPARTMENT FOR MORE INFORMATION OR VARIATIONS OF THIS PRODUCT.

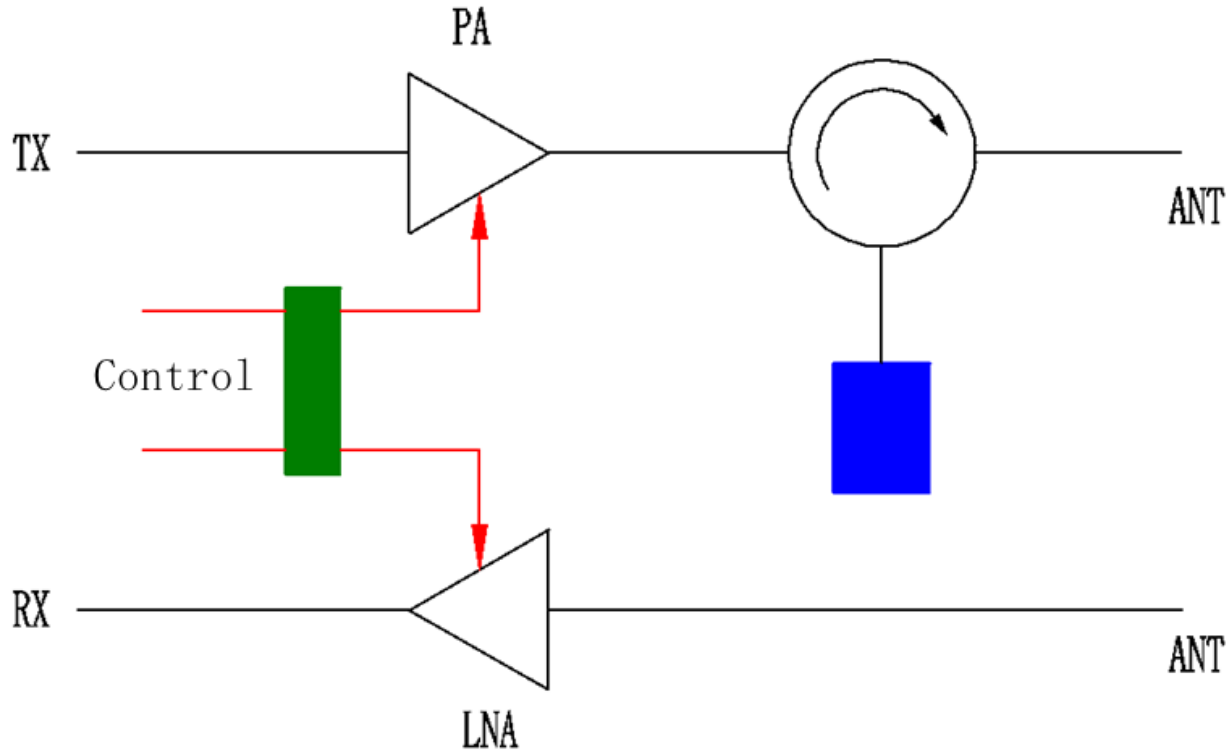
Corry Micronics, Inc. One Plastics Rd. - Corry, PA 16407
(724) 940-7556 ext. 138 Fax (724) 940-7707 www.cormic.com

Corry Micronics Inc. herein referred to CMI, believes this information to be accurate, but makes no warranties, expressed or implied as to the accuracy of this document. CMI assumes no liability for any injury, loss, damage, direct or consequential arising from the use of our products. User assumes all risk whatsoever in connection with its intended use. CMI also reserves the right to change this document without notice. 06/04/2019



CORRY MICRONICS, INC PRODUCT SPECIFICATION

Block Diagram



Control Socket Pinout

Pin Number	Definition	Note
1	RS485_A	
2	RS485_B	
3	GND	
4	PA_CTL	High: On; Low: Off; NC: On
5	LNA_CTL	High: On; Low: Off; NC: On

CALL OUR SALES DEPARTMENT FOR MORE INFORMATION OR VARIATIONS OF THIS PRODUCT.

Corry Micronics, Inc. One Plastics Rd. - Corry, PA 16407

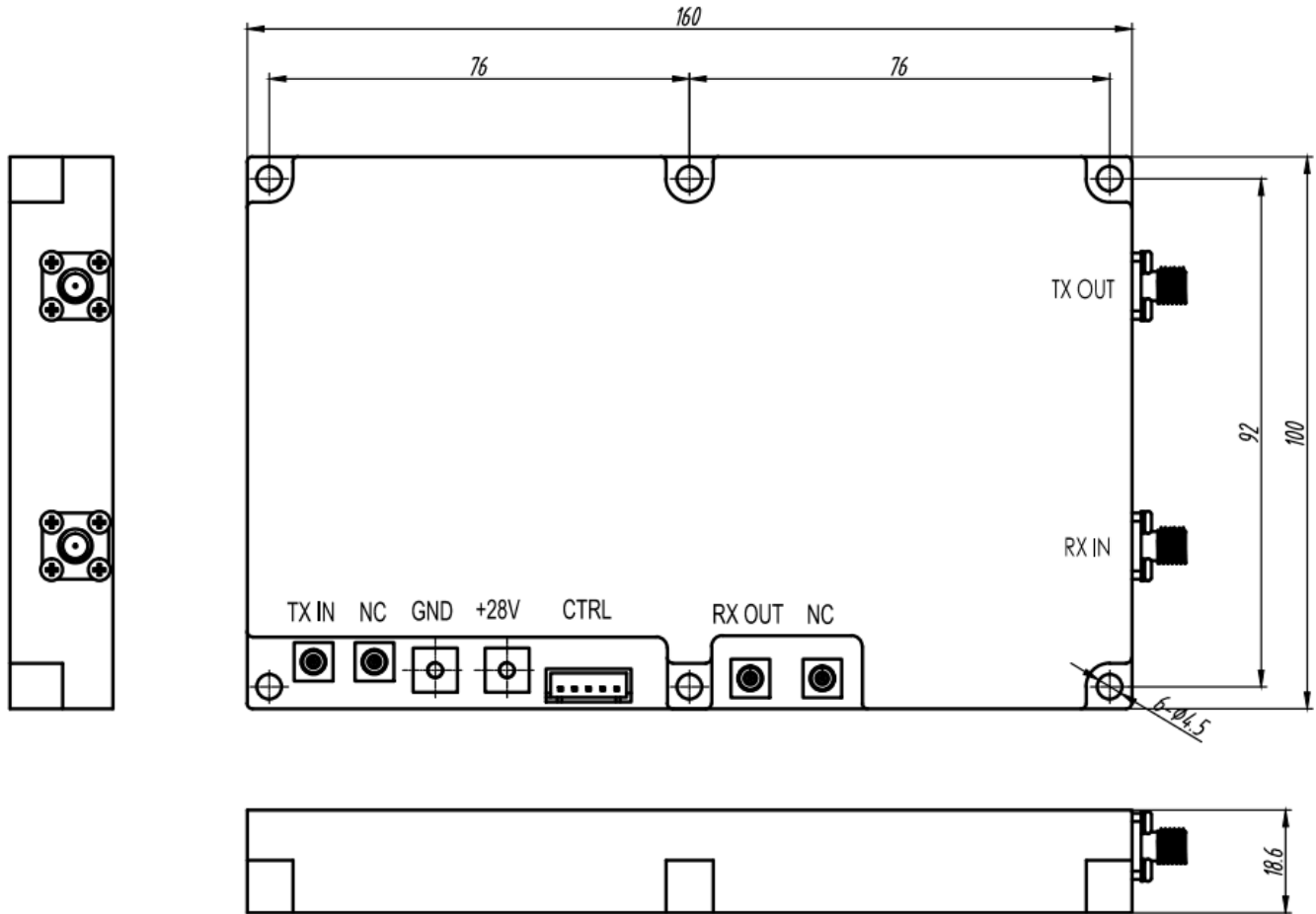
(724) 940-7556 ext. 138 Fax (724) 940-7707 www.cormic.com

Corry Micronics Inc. herein referred to CMI, believes this information to be accurate, but makes no warranties, expressed or implied as to the accuracy of this document. CMI assumes no liability for any injury, loss, damage, direct or consequential arising from the use of our products. User assumes all risk whatsoever in connection with its intended use. CMI also reserves the right to change this document without notice. 06/04/2019



CORRY MICRONICS, INC PRODUCT SPECIFICATION

Outline Drawing



CALL OUR SALES DEPARTMENT FOR MORE INFORMATION OR VARIATIONS OF THIS PRODUCT.

Corry Micronics, Inc. One Plastics Rd. - Corry, PA 16407

(724) 940-7556 ext. 138 Fax (724) 940-7707 www.cormic.com

Corry Micronics Inc. herein referred to CMI, believes this information to be accurate, but makes no warranties, expressed or implied as to the accuracy of this document. CMI assumes no liability for any injury, loss, damage, direct or consequential arising from the use of our products. User assumes all risk whatsoever in connection with its intended use. CMI also reserves the right to change this document without notice. 06/04/2019