



# CORRY MICRONICS, INC PRODUCT SPECIFICATION

## CMISPDT-0912P4000 Single Pull Double Throw RF Switch

### Electrical Specifications

Parameters	Specification
Switch Type	Reflective
Frequency Range	960 ~ 1215 MHz
Insertion Loss	≤0.6 dB
VSWR	≤1.3:1
Isolation	≥50 dB
Max Input Power	Peak 4000 W (Duty Cycle 2%, Pulse Width 1μs)
Switching Speed	≤1 ns
Power Supply	+5 V ±5% (150 mA), -40 V ±5% (50 mA)
Control Logic	TTL
Operating Temperature	-55° C ~ +85° C
Input / Output Connector	Ø 0.8 needle
Surface Finish	Natural Color Conductive Oxidation
Dimensions	See Attached Drawing (Dimensions are in mm)

### Truth Table

TTL	RFCOM to RF1	RFCOM to RF2
1	On	Off
0	Off	On

**CALL OUR SALES DEPARTMENT FOR MORE INFORMATION OR VARIATIONS OF THIS PRODUCT.**

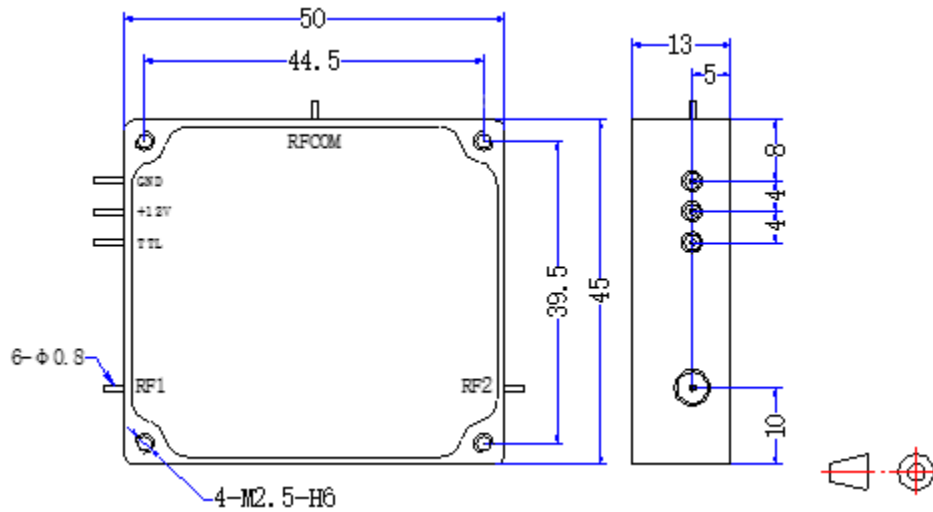
**Corry Micronics, Inc. One Plastics Rd. - Corry, PA 16407**  
**(724) 940-7556 ext. 138 Fax (724) 940-7707 [www.cormic.com](http://www.cormic.com)**

Corry Micronics Inc. herein referred to CMI, believes this information to be accurate, but makes no warranties, expressed or implied as to the accuracy of this document. CMI assumes no liability for any injury, loss, damage, direct or consequential arising from the use of our products. User assumes all risk whatsoever in connection with its intended use. CMI also reserves the right to change this document without notice. 06/21/2019



# CORRY MICRONICS, INC PRODUCT SPECIFICATION

## Outline Drawing:



**CALL OUR SALES DEPARTMENT FOR MORE INFORMATION OR VARIATIONS OF THIS PRODUCT.**

**Corry Micronics, Inc. One Plastics Rd. - Corry, PA 16407**  
**(724) 940-7556 ext. 138 Fax (724) 940-7707 [www.cormic.com](http://www.cormic.com)**

Corry Micronics Inc. herein referred to CMI, believes this information to be accurate, but makes no warranties, expressed or implied as to the accuracy of this document. CMI assumes no liability for any injury, loss, damage, direct or consequential arising from the use of our products. User assumes all risk whatsoever in connection with its intended use. CMI also reserves the right to change this document without notice. 06/21/2019