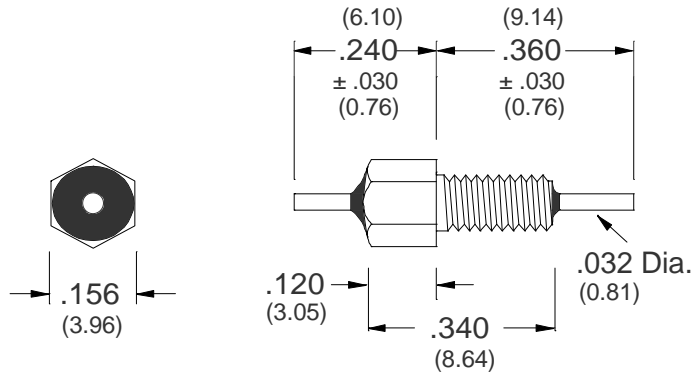
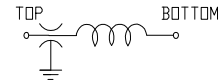


FTL12-05-XXXX LB EMI Filter



4-40 UNC-2A THREAD
(X.XX) = MILLIMETERS



Materials:

Case: Silver Plated Per QQ-S-365A

Lead: Silver Plated Per QQ-S-365A

Epoxy Sealed, Both Ends

Insulation Resistance @ 25 °C: 10 GΩ Min.

Dissipation Factor: .035 Max.

Max. Current: 10 Amps DC

Operating Temperature: -55 °C - +125 °C

Recommended Mounting Torque: 1.5 Inch/Lbs Max.

PART NUMBER	CAPACITANCE	TOLERANCE	WVDC	DWV	TYPICAL NO LOAD INSERTION LOSS (dB) @ 25 °C PER MIL-STD-220			
					1 MHz	10 MHz	100 MHz	1GHz
FTL12-05-103P	10,000 PF	-0% +100%	100	250	-	21	41	70
FTL12-05-223P	22,000 PF	GMV	100	250	7	27	43	70
FTL12-05-273P	27,000 PF	-0% +100%	50	125	10	30	45	70
FTL12-05-503P	50,000 PF	-0% +100%	50	125	15	35	54	70
FTL12-05-753P	75,000 PF	-0% +100%	50	125	18	37	52	70
FTL12-05-104P	0.1 uF	-0% +100%	50	125	22	40	47	70

CALL OUR SALES DEPARTMENT FOR MORE INFORMATION OR VARIATIONS OF THIS PRODUCT.

Corry Micronics, Inc. One Plastics Rd. - Corry, PA 16407
(814) 664-7728 Fax (814) 664-4582 www.cormic.com

Corry Micronics Inc. herein referred to CMI, believes this information to be accurate, but makes no warranties, expressed or implied as to the accuracy of this document. CMI assumes no liability for any injury, loss, damage, direct or consequential arising from the use of our products. User assumes all risk whatsoever in connection with it's intended use. CMI also reserves the right to change this document without notice.