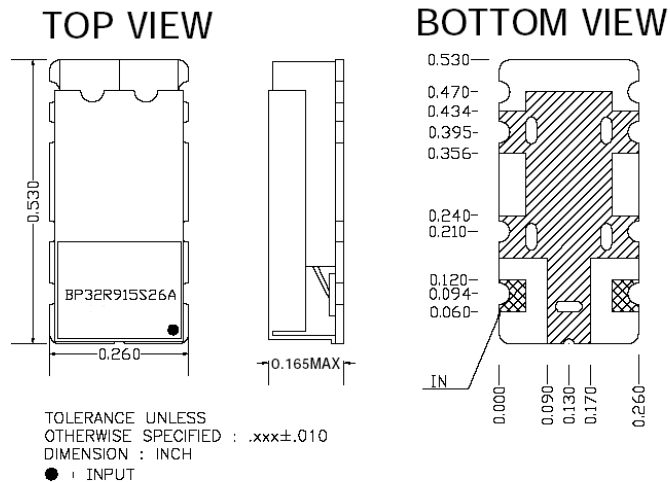


### RF FILTER SPECIFICATION

Part No. BP32R915S26A

Electrical Specifications			
Item	Parameter	General Specification	
1	Center Frequency	915 MHz	
2	Poles	2	
3	Bandwidth (BW)	$F_0 \pm 13$ MHz	
4	Insertion loss in BW	2.2 dB max.	
5	Ripple in BW	1.0 dB max.	
6	VSWR	2.0 max.	
7	Input power	watt max.	
8	Attenuation (Absolute Value)	Frequency	Specification
		$F_0 - 77.5$ MHz	23 dB min.
		$F_0 + 77.5$ MHz	18 dB min.



**CALL OUR SALES DEPARTMENT FOR MORE INFORMATION OR VARIATIONS OF THIS PRODUCT.**

**Corry Micronics, Inc. One Plastics Rd. - Corry, PA 16407  
(814) 664-7728 Fax (814) 664-4582 [www.cormic.com](http://www.cormic.com)**

Corry Micronics Inc. herein referred to CMI, believes this information to be accurate, but makes no warranties, expressed or implied as to the accuracy of this document. CMI assumes no liability for any injury, loss, damage, direct or consequential arising from the use of our products. User assumes all risk whatsoever in connection with it's intended use. CMI also reserves the right to change this document without notice.