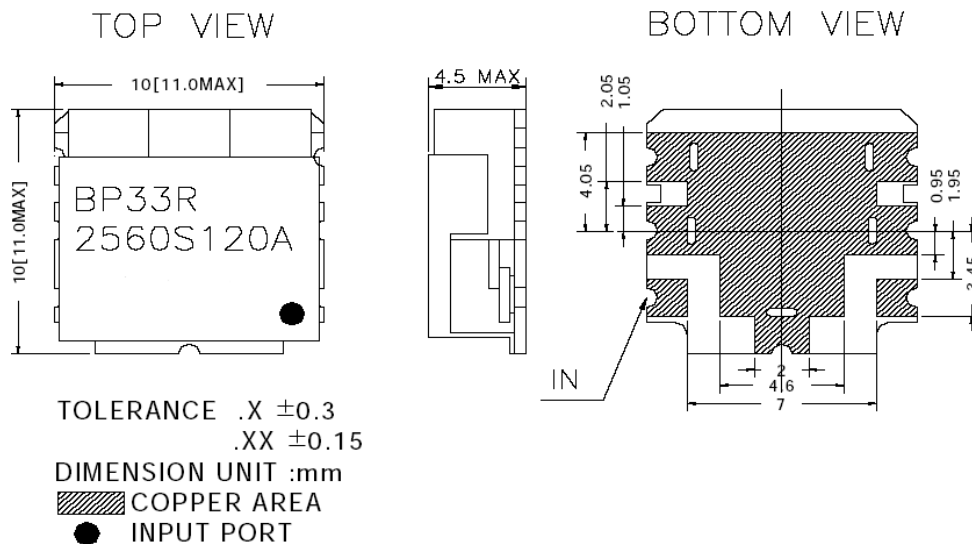


### RF FILTER SPECIFICATION

Part No. BP33R2560S120A

Electrical Specifications			
Item	Parameter	General Specification	CMI's Specification
1	Center Frequency	2560 MHz	2560 MHz
2	Bandwidth (BW)	fo ±60 MHz	fo ±60 MHz
3	Insertion loss in BW	- dB max.	3.0 dB max.
4	Ripple in BW	1.0 dB max.	1.0 dB max.
5	VSWR	1.5 max.	1.5 max.
6	Input power	1 watt max.	1 watt max.
7	Attenuation □ Absolute Value	30 dB min. at fo + 200 MHz	20 dB min. at fo + 200 MHz
		30 dB min. at fo - 200 MHz	25 dB min. at fo - 200 MHz
		40 dB min. at 1900 MHz	40 dB min. at 1900 MHz
		10 dB min. at 2250 MHz	10 dB min. at 2250 MHz
		40 dB min. at 3500 MHz	40 dB min. at 3500 MHz
		30 dB min. at 5200 MHz	30 dB min. at 5200 MHz
		30 dB min. at 5800 MHz	30 dB min. at 5800 MHz



**CALL OUR SALES DEPARTMENT FOR MORE INFORMATION OR VARIATIONS OF THIS PRODUCT.**

**Corry Micronics, Inc. One Plastics Rd. - Corry, PA 16407  
(814) 664-7728 Fax (814) 664-4582 [www.cormic.com](http://www.cormic.com)**

Corry Micronics Inc. herein referred to CMI, believes this information to be accurate, but makes no warranties, expressed or implied as to the accuracy of this document. CMI assumes no liability for any injury, loss, damage, direct or consequential arising from the use of our products. User assumes all risk whatsoever in connection with it's intended use. CMI also reserves the right to change this document without notice.