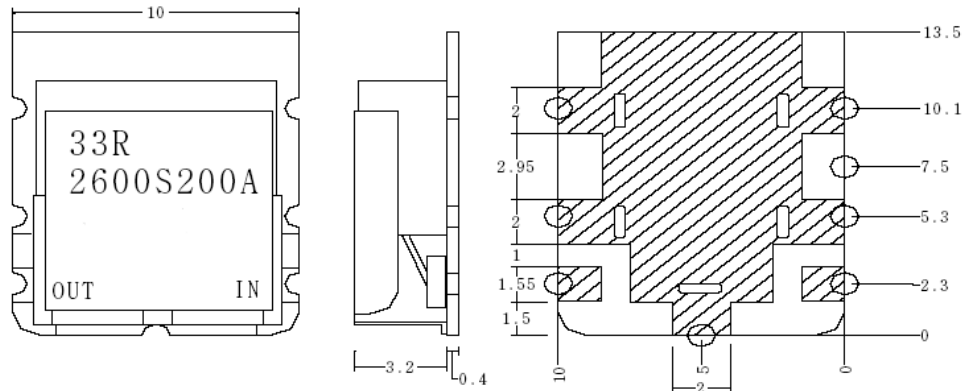


RF FILTER SPECIFICATION

Part No. BP33R2600S200A

Electrical Specifications			
Item	Parameter	General Specification	
1	Center Frequency	2600 MHz	
2	Poles	3	
3	Bandwidth (BW)	FO \pm 100 MHz	
4	Insertion loss in BW	2.0 dB max.	
5	Ripple in BW	1.0 dB max.	
6	VSWR	1.8 max.	
7	Input power	1 watt max.	
8	Attenuation <input type="checkbox"/> Absolute Value	Frequency	Specification
		2800 MHz	8 dB min.
		2400 MHz	15 dB min.
		2450 MHz	7 dB min.
		1900 MHz	40 dB min.



TOLERANCE UNLESS OTHERWISE
SPECIFIED : ± 0.3
DIMENSION : mm

CALL OUR SALES DEPARTMENT FOR MORE INFORMATION OR VARIATIONS OF THIS PRODUCT.

Corry Micronics, Inc. One Plastics Rd. - Corry, PA 16407
(814) 664-7728 Fax (814) 664-4582 www.cormic.com

Corry Micronics Inc. herein referred to CMI, believes this information to be accurate, but makes no warranties, expressed or implied as to the accuracy of this document. CMI assumes no liability for any injury, loss, damage, direct or consequential arising from the use of our products. User assumes all risk whatsoever in connection with it's intended use. CMI also reserves the right to change this document without notice.