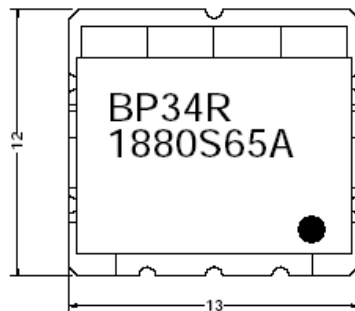


RF FILTER SPECIFICATION

Part No. BP34R1880S65A

Electrical Specifications			
Item	Parameter	General Specification	
1	Center Frequency	1880 MHz	
2	Poles	4	
3	Bandwidth (BW)	$F_0 \pm 32.5$ MHz	
4	Insertion loss in BW	2.5 dB max.	
5	Ripple in BW	1.0dB max.	
6	VSWR	1.5 max.	
7	Input power	1 watt max.	
8	Attenuation (Absolute Value)	Frequency	Specification
		$F_0 \pm 80$ MHz	18 dB min.
		$F_0 \pm 160$ MHz	32 dB min.

TOP VIEW

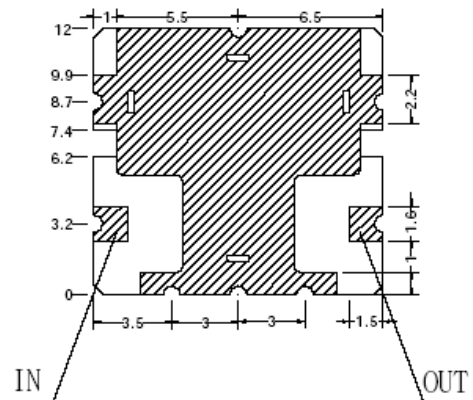


TOLERANCE UNLESS OTHERWISE
SPECIFIED : ± 0.3
UNIT: mm

● INPUT PORT



BOTTOM VIEW



CALL OUR SALES DEPARTMENT FOR MORE INFORMATION OR VARIATIONS OF THIS PRODUCT.

Corry Micronics, Inc. One Plastics Rd. - Corry, PA 16407
(814) 664-7728 Fax (814) 664-4582 www.cormic.com

Corry Micronics Inc. herein referred to CMI, believes this information to be accurate, but makes no warranties, expressed or implied as to the accuracy of this document. CMI assumes no liability for any injury, loss, damage, direct or consequential arising from the use of our products. User assumes all risk whatsoever in connection with its intended use. CMI also reserves the right to change this document without notice.