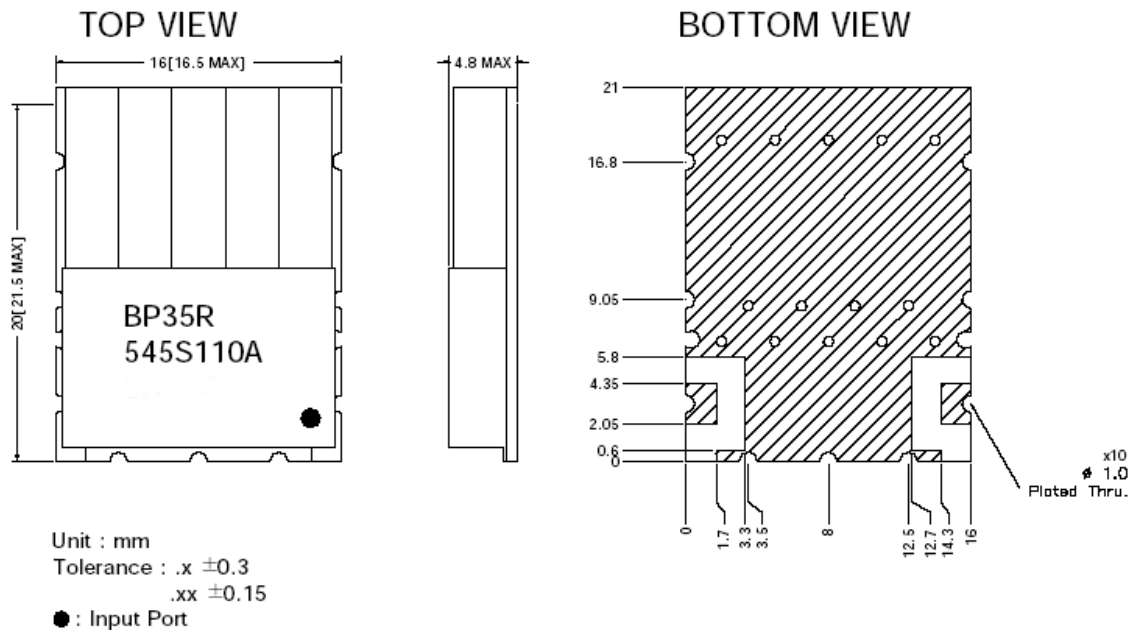


### CERAMIC BPF PRELIMINARY SPECIFICATION

Part No. BP35R545S110A

Electrical Specifications			
Item	Parameter	CMI Specification	Unit
1	Center Frequency	545	MHz
2	Pass Bandwidth	110	MHz
3	I.L at BW	2.0 max.	dB
4	Ripple at BW	1.0 max.	dB
5	Return Loss at BW	12 min.	dB
6	In/Out Impedance (Ohm)	50	$\Omega$
7	Input Power (W max.)	-	W
8	Attenuation [Relative Value]	45 min. @ 300 ~ 395 MHz 45 min. @ 700 ~ 800 MHz	dBc
9	Quantity	-	



**CALL OUR SALES DEPARTMENT FOR MORE INFORMATION OR VARIATIONS OF THIS PRODUCT.**

**Corry Micronics, Inc. One Plastics Rd. - Corry, PA 16407  
(814) 664-7728 Fax (814) 664-4582 [www.cormic.com](http://www.cormic.com)**

Corry Micronics Inc. herein referred to CMI, believes this information to be accurate, but makes no warranties, expressed or implied as to the accuracy of this document. CMI assumes no liability for any injury, loss, damage, direct or consequential arising from the use of our products. User assumes all risk whatsoever in connection with it's intended use. CMI also reserves the right to change this document without notice.