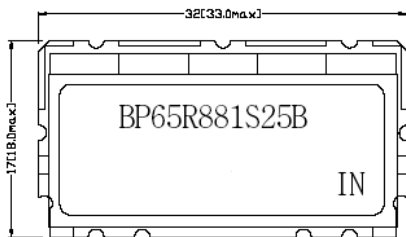


RF FILTER SPECIFICATION

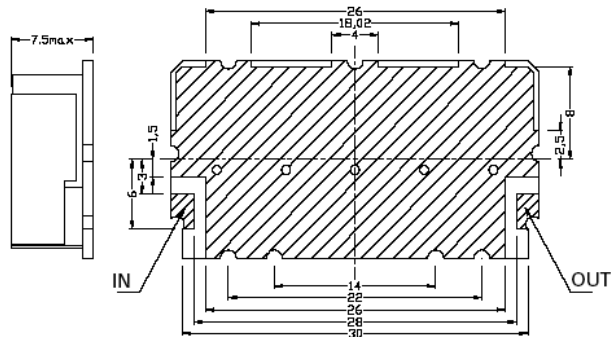
Part No. BP65R881S25B

Electrical Specifications			
Item	Parameter	General Specification	
1	Center Frequency	881.5 MHz	
2	Bandwidth (BW)	fo ±12.5 MHz	
3	Insertion loss in BW	3.5 dB max.	
4	Ripple in BW	0.4 dB max.	
5	Return Loss	17 dB min.	
6	Input power	1 watt max.	
7	Attenuation	Frequency	Specification
	□ Absolute Value	849 MHz	17 dB min.

TOP VIEW



BOTTOM VIEW



Tolerance Unless otherwise specified : ±0.3
Dimension Unit : mm

CALL OUR SALES DEPARTMENT FOR MORE INFORMATION OR VARIATIONS OF THIS PRODUCT.

Corry Micronics, Inc. One Plastics Rd. - Corry, PA 16407
(814) 664-7728 Fax (814) 664-4582 www.cormic.com

Corry Micronics Inc. herein referred to CMI, believes this information to be accurate, but makes no warranties, expressed or implied as to the accuracy of this document. CMI assumes no liability for any injury, loss, damage, direct or consequential arising from the use of our products. User assumes all risk whatsoever in connection with it's intended use. CMI also reserves the right to change this document without notice.