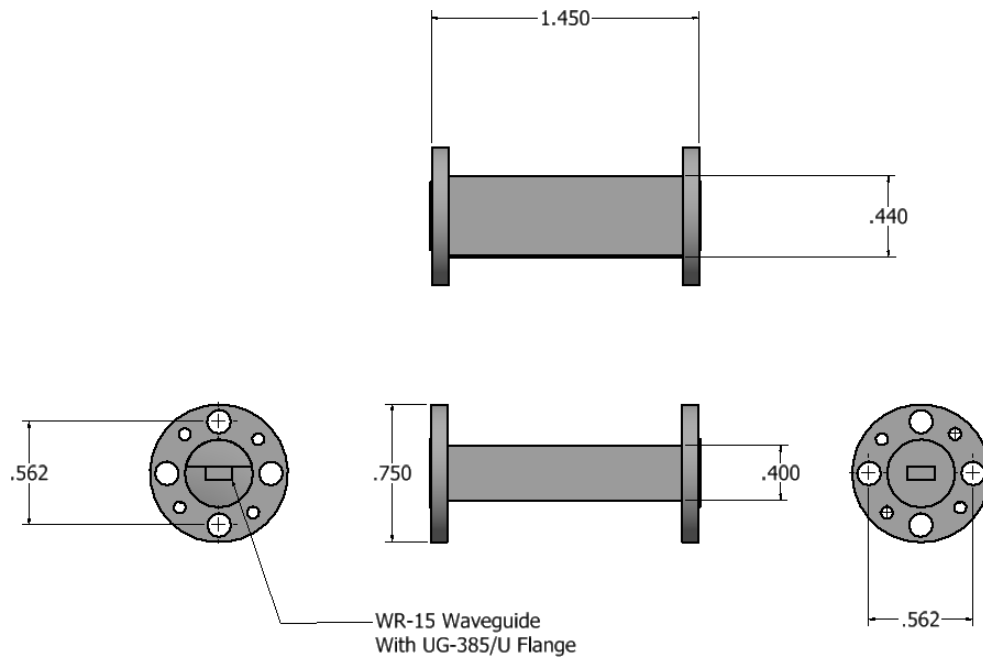


Preliminary Specification

CMI-WR15-S1.45 V-Band Waveguide

Parameters	Specifications
Frequency Range	61.9~63.7GHz
Insertion Loss	≤1.0dB
Ripple in Band	≤0.4dB
Return Loss	≥15dB
Rejection	≥60dB@60GHz ≥60dB@66GHz
Waveguide	WR-15
Flange Designation	UG-385/U
Surface Finish	Powder Coated Beige
Size	Approx. 1.45" x 0.40" x 0.75" <i>(All dimensions below are in inches)</i>



Response

