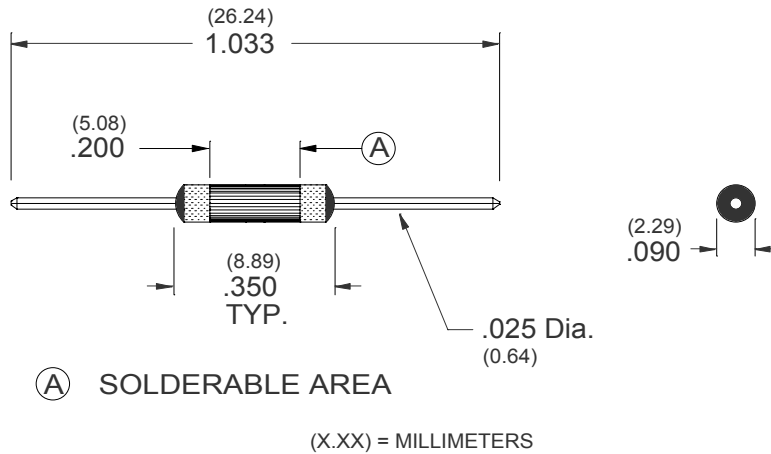


Product Specification

PC09-01-XXXX FEEDTHRU CERAMIC CAPACITOR PIN



Capacitance Available from 5pF to 5000 pF

Working Voltage DC: 100 [Available up to 500 VDC] Dielectric Withstanding Voltage: 250 VDC, 2 Seconds

Insulation Resistance @ 25 °C : 10 GΩ Min.

Max. Current: 5 Amps DC DC Resistance: .01Ω Max.

Operating Temperature: -55 °C - +125 °C

Lead: Phosphor Bronze Alloy #510, Gold Plated Per MIL-G-45204B Class 00

Body Metalization: Fired On Silver [Standard]

Also available with Silver or Gold Plating over a Nickel Barrier.

Recommended Mounting Hole: .096 Diameter.

Recommended Installation: Solder in with Sn62/Pb36/Ag2 Solder.

Do not exceed 400 °F during installation.

Unit also may be installed using a suitable Conductive Epoxy.

Note: When using Fired On Silver Metalization, it is recommended that the unit not to remain at reflow temperature for longer than 30 seconds