

Product Specification

CMIPA-L18P10 LTE-FDD SOLID STATE HIGH POWER AMPLIFIER

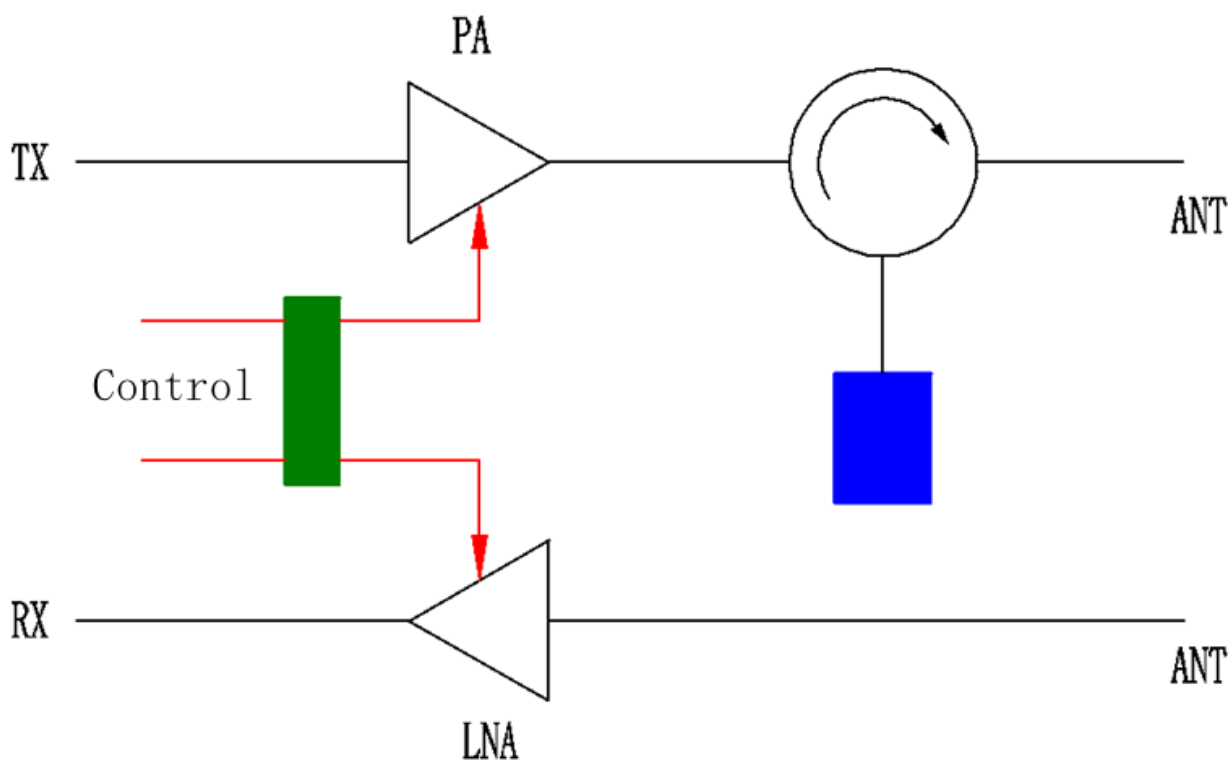
Functions

Description
Operating Temperature Monitor and Alarm
Serial Control Attenuator, 0.5 dB LSB Steps to 31.5 dB
PA Output Monitor and Alarm
PA Reverse Power Monitor and Alarm

Electrical Specifications

Parameters	Specifications
Operating Frequency	1710 - 1785 MHz / 1805 - 1880 MHz
Signal Type	LTE-FDD, PAR 8 dB
Output Power	≥40 dBm
ACLR	≤-32 dBc
TX Gain	≥50 dB
Transmit Gain Flatness	≤±0.6 dB
Transmit Input VSWR	≤1.5:1
TX Efficiency	≥22%
RX NF	≤3 dB
RX gain	≥25 dB
Receive Gain Flatness	≤±0.6 dB
Receive Input VSWR	≤2:1
Power Supply	+28V
RF Connectors PA Out and LNA In	SMA- Female
RF Connectors PA In and LNA Out	MCX-50KE
Power Connectors	Socket with Thread, Connect with Ring Terminal and M3 Screw
Control Connector	2.5 mm pitch 5 pin Connector
Dimensions	See Attached Drawing [Dimensions are in mm]

Block Diagram



Control Socket Pinout

Pin Number	Definition	Note
1	RS485_A	
2	RS485_B	
3	GND	
4	PA_CTL	High: On; Low: Off; NC: On
5	LNA_CTL	High: On; Low: Off; NC: On

Outline Drawing

